

**CONVENIENCE
CATALOGUE
2023**

HUSSmann®

Table Of Contents

VERTICAL FOOD & BEVERAGE

BV520 W VS - Single Glass Door Chiller	4
BV770 W VS - Single Glass Door Chiller	4
BV1300 W VS - Double Glass Door Chiller	5
BV1600 W VS - Triple Glass Door Chiller	5

MULTIDECK DISPLAY CABINETS

H1TMS - Multideck Open Front Chiller Cabinet	7
H1TMDS - Multideck Glass Door Chiller Cabinet	7
H1TLDS - Multideck Glass Door Freezer Display	8
H1TADS - Multideck Ambient Display Cabinet	8
H1TH - Upright Hot Cabinet	9
H1TC - Combination Hot Cold	9

SEMI VERTICAL DISPLAY CABINETS

SGN141S - Semi Vertical Grab & Go Cabinet	11
SGN152S - Semi Vertical Grab & Go Cabinet	11
SGND153S - Semi Vertical Hinged Glass Door Cabinet	12
SGND153S - Semi Vertical Sliding Glass Door Cabinet	12

DUAL TEMPERATURE & SPECIALTY

ICESG-DT - Single Glass Door Dual Temp Cabinet	14
ICE2Z - Dual Zone Vertical Chiller/Freezer	14
ICE CTF67 - Countertop Display Freezer	15
ICE VIEW 157 - Horizontal Freezer	15
View-VS Series - Dual Temp Variable Speed Island Cabinet	16
Arch Series - Modular Dual Temp Island Cabinet	16
Arch-VS Series - Modular Dual Temp Variable Speed Island Cabinet	17
Arch Plus - Dual Temp Vertical Top Mounted Cabinet	17

HEATED DISPLAY CABINETS

REM - 2-Tier Self Service Display Cabinet	19
RHR - 2-Tier Self Service Display Cabinet	19
MIC - 2-Tier Self Service Display Cabinet	20
HCCR - Hot Cold Combination	20
KH14 - 2-Tier Self Service Display Cabinet	21
SMNH1400 - Semi Vertical Hot Cabinet	21
SMNH1503 - Narrow Self Serve Hot Display Cabinet	22

SERVE-OVER DELI DISPLAY CABINETS

VLL726BLS - Serviced Deli Self-Contained Display Cabinet	22
--	----

PROMOTIONAL DISPLAY MERCHANDISERS

AME12S - Island Merchandiser	24
------------------------------	----

Vertical Food & Beverage



Frequency controlled
Electronic thermostat

Variable speed
compressors

Perfect solution for
high temperature and
high humidity climate
conditions

EC fans

Strong cabinet with
metallic innerliner

Frameless door frame,
Canopyless design



Strong
Metallic
Inner Liner



LED
Illumination



Eco-friendly
Refrigerant



Tropical
Class

INVERTER



SELF CONTAINED

BV520 W VS

SINGLE GLASS DOOR CHILLER

 ENHANCED ENERGY EFFICIENCY & VERSATILITY

INVERTER

 NATURAL REFRIGERANT R290

 PLUG & PLAY

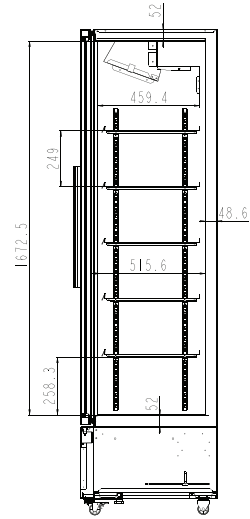


Standard Features

- LED lighting
- Digital controller display fitted
- 5 display levels plus base
- Powder coated galvanized steel construction
- Self-contained, plug and play installation
- Ventilated condenser
- Frameless glass door
- Castors as standard
- Automatic condensate removal
- Maximum operating temperature 40°C
- Bottom mounted refrigeration system
- Colour: Black internal, Black external
- Refrigerant: R290

External Dimensions (WxDxH)	680 x 652 x 2200
Internal Dimensions (WxDxH)	575 x 500 x 1675
Gross Net Volume (Lt)	519 / 467
330 ml can loading (Max.)	684
500 ml bottle loading (Max.)	344
Facing	8
Transport Container 40 HC	51

*with extended aluminum handle



TEMPERATURE CLASS: 3M1

 (-1°C to +5°C)

SELF CONTAINED

BV770 W VS

SINGLE GLASS DOOR CHILLER

 ENHANCED ENERGY EFFICIENCY & VERSATILITY

INVERTER

 NATURAL REFRIGERANT R290

 PLUG & PLAY

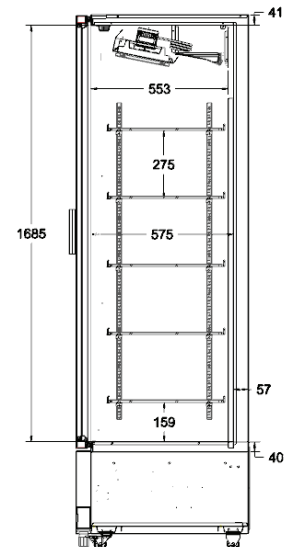


Standard Features

- LED lighting
- Digital controller display fitted
- 5 display levels plus base
- Powder coated galvanized steel construction
- Self-contained, plug and play installation
- Ventilated condenser
- Frameless glass door
- Castors as standard
- Automatic condensate removal
- Maximum operating temperature 40°C
- Bottom mounted refrigeration system
- Colour: Black internal, Black external
- Refrigerant: R290

External Dimensions (WxDxH)	800 x 725 x 2200
Internal Dimensions (WxDxH)	720 x 570 x 1685
Gross Net Volume (Lt)	728 / 678
330 ml can loading (Max.)	978
500 ml bottle loading (Max.)	489
Facing	10
Transport Container 40 HC	42

*with extended aluminum handle



TEMPERATURE CLASS: 3M1

 (-1°C to +5°C)

SELF CONTAINED

BV1300 W VS

DOUBLE GLASS DOOR CHILLER

 ENHANCED ENERGY EFFICIENCY & VERSATILITY

INVERTER

 NATURAL SOLUTION R290

 PLUG & PLAY

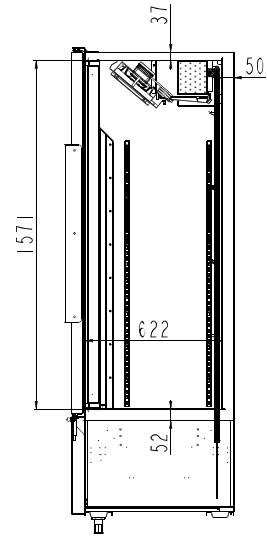


Standard Features

- LED lighting
- Digital controller display fitted
- 5 display levels plus base
- Powder coated galvanized steel construction
- Self-contained, plug and play installation
- Ventilated condenser
- Frameless glass door
- Castors as standard
- Automatic condensate removal
- Maximum operating temperature 40°C
- Bottom mounted refrigeration system
- Colour: Black internal, Black external
- Refrigerant: R290

External Dimensions (WxDxH)	1200 x 764 x 2200
Internal Dimensions (WxDxH)	1125x 622 x 1571
Gross Net Volume (Lt)	1142 / 1088
330 ml can loading (Max.)	1306
500 ml bottle loading (Max.)	674
Facing	16
Transport Container 40 HC	24

*with extended aluminum handle



TEMPERATURE CLASS: 3M1

 (-1°C to +5°C)

SELF CONTAINED

BV1600 W VS

TRIPLE GLASS DOOR CHILLER

 ENHANCED ENERGY EFFICIENCY & VERSATILITY

INVERTER

 NATURAL SOLUTION R290

 PLUG & PLAY

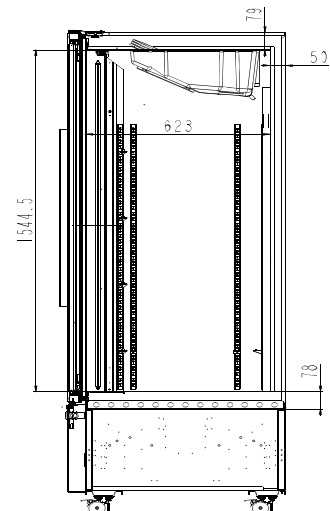


Standard Features

- LED lighting
- Digital controller display fitted
- 5 display levels plus base
- Powder coated galvanized steel construction
- Self-contained, plug and play installation
- Ventilated condenser
- Frameless glass door
- Castors as standard
- Automatic condensate removal
- Maximum operating temperature 40°C
- Bottom mounted refrigeration system
- Colour: Black internal, Black external
- Refrigerant: R290

External Dimensions (WxDxH)	1600 x 724 x 2200
Internal Dimensions (WxDxH)	1500 x 623 x 1544.5
Gross Net Volume (Lt)	1455 / 1326
330 ml can loading (Max.)	1828
500 ml bottle loading (Max.)	912
Facing	22
Transport Container 40 HC	21

*with extended aluminum handle



TEMPERATURE CLASS: 3M1

 (-1°C to +5°C)

Multideck Display Cabinets



Eco-friendly and durable internal and external powder coat finish

Ergonomic design for easy product access

Optimised display with LED lighting

6500K LED under-shelf strip lighting

Adjustable shelving options to optimise merchandising

Low Total Energy Consumption (TEC)

EC fan motors



Strong Metallic Inner Liner



LED Illumination



Eco-friendly Refrigerant



Tropical Class



SELF CONTAINED

H1TMS

MULTIDECK OPEN FRONT CHILLER CABINET

ENHANCED ENERGY EFFICIENCY & VERSATILITY



Standard Features

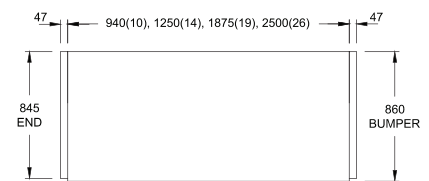
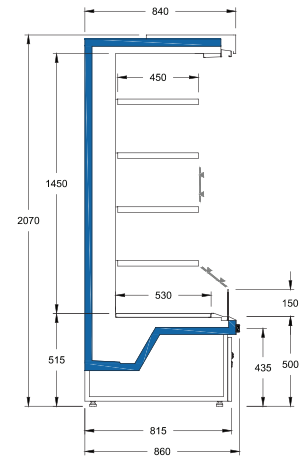
- Eco-friendly and durable internal and external powder coat finish
- Single row of 6500K LED canopy lighting
- 6500K LED under-shelf strip lighting
- 4 rows of 450mm powder coated shelves plus 530mm base
- Ticket strips
- Wire air return grill
- Long life galvanized internal base
- Night blind - manual slow release
- Rubber bumper
- Acrylic front
- Automatic condensate removal
- EC fan motors
- Digital controller with temperature display
- Rollers standard (H1TMS -10 and 14)
- Adjustable feet standard (H1TMS-19 and 26)

Products	Total Length (mm)	Net Volume (L)	Display Area (m ²)	Amperes (Amps)
H1TMS -10	1034	635	1.36	10
H1TMS -14	1344	844	1.81	15
H1TMS -19	1969	1266	2.71	20
H1TMS -26	2594	1689	3.62	20

Standard Depth: 860mm | Standard Height: 2070mm

TEMPERATURE CLASS: 3M1

❄️ (-1°C to +5°C)



SELF CONTAINED

H1TMDS

MULTIDECK GLASS DOOR CHILLER CABINET

ENHANCED ENERGY EFFICIENCY & VERSATILITY



Standard Features

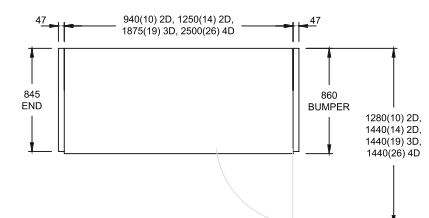
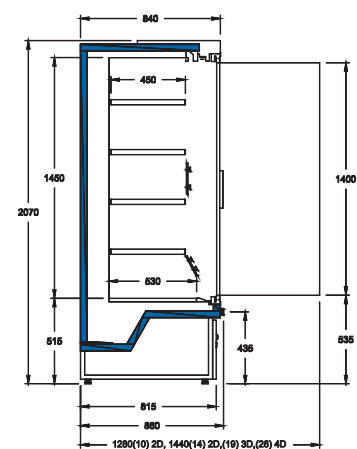
- Eco-friendly and durable internal and external powder coat finish
- Single row of 6500K LED canopy lighting
- 6500K LED under-shelf strip lighting
- 4 rows of 450mm powder coated shelves
- Ticket strips
- Wire air return grill
- Rubber bumper
- Long life galvanized internal base
- Automatic condensate removal
- EC fan motors
- Digital controller with temperature display
- Rollers standard (H1TMDS -10 and 14)
- Adjustable feet standard (H1TMDS-19 and 26)
- Double Glazed Hinged Glass Doors

Products	Total Length (mm)	Net Volume (L)	Display Area (m ²)	Amperes (Amps)
H1TMDS -10	1034	635	1.36	10
H1TMDS -14	1344	844	1.81	10
H1TMDS -19	1969	1266	2.71	10
H1TMDS -26	2594	1689	3.62	15

Standard Depth: 860mm | Standard Height: 2070mm

TEMPERATURE CLASS: 3M1

❄️ (-1°C to +5°C)



SELF CONTAINED

H1TLDS

MULTIDECK GLASS DOOR FREEZER DISPLAY

Coming Soon

ENHANCED ENERGY EFFICIENCY & VERSATILITY



TEMPERATURE CLASS: 3L1
❄️ (-18°C / -15°C)

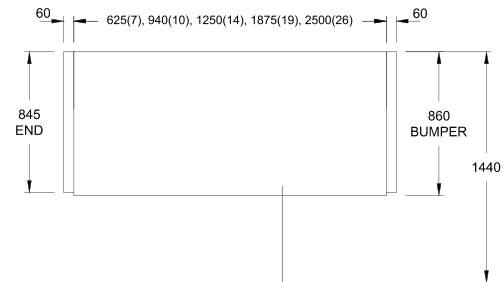
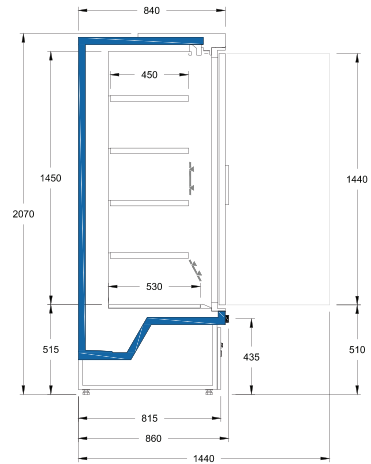
Standard Features

Eco-friendly and durable internal and external powder coat finish
Single row of 5700K LED canopy lighting
4 rows 450mm powder coated unlit shelves plus 530mm base
Ticket strips
Triple glazed hinged doors with grab handles

Wire air return grill
Long life galvanized internal base
Rubber bumper
Adjustable feet
Acrylic front
Automatic condensate removal
EC fan motors
Digital controller with temperature display

Products	Total Length (mm)	Net Volume (L)	Display Area (m ²)
H1TLDS -7	725	422	0.9
H1TLDS -10	1060	635	1.36
H1TLDS -14	1370	844	1.81
H1TLDS -19	1995	1266	2.71
H1TLDS -26	2620	1689	3.62

Standard Depth: 860mm | Standard Height: 2070mm



SELF CONTAINED

H1TADS

MULTIDECK AMBIENT DISPLAY CABINET

Coming Soon

ENHANCED ENERGY EFFICIENCY & VERSATILITY



Standard Features

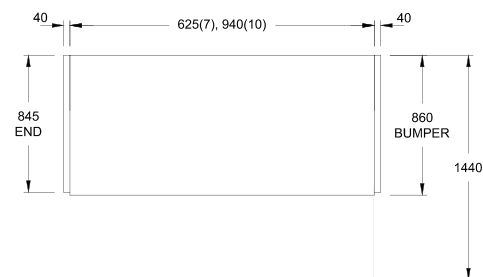
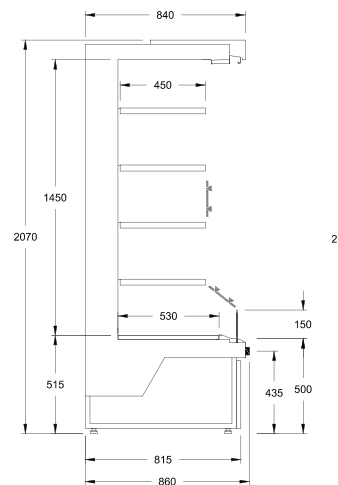
Designed for display of products at ambient temperature only
Eco-friendly and durable internal and external powder coat finish
Single row of 4000K LED canopy lighting
4 rows of 450mm powder coated unlit shelves plus 530mm base

Ticket strips
Rubber bumper
Adjustable feet
Acrylic front

Products	Total Length (mm)	Net Volume (L)	Display Area (m ²)
H1TA - 07	745	422	0.9
H1TA - 10	1020	844	1.81
H1TAD - 07	745	422	0.9
H1TAD - 10	1020	844	1.81

Standard Depth: 860mm | Standard Height: 2070mm

TEMPERATURE CLASS: AMBIENT
👉 (Room Temp°C)



SELF CONTAINED

H1TH

UPRIGHT HOT CABINET



Standard Features

- Stainless Steel Internal and external powder coating
- Single row of 4000K LED canopy lighting
- 4 rows of 450mm powder coated unlit shelves
- Ticket strips
- Wire air return grill
- Galvanised base
- Rubber bumper
- Adjustable feet
- 50mm Castors
- Acrylic front
- Condensation removal
- Digital thermometer display fitted
- Alarm probe fitted with conduit and draw wire

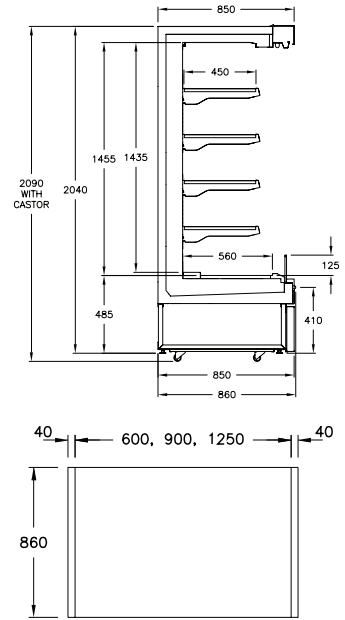
Code	H1TH-07	H1TH-10	H1TH-14
Total Length (mm)	680	980	1330

TEMPERATURE CLASS: HOT

(+65 / +80 °C)

Coming Soon

ENHANCED ENERGY EFFICIENCY & VERSATILITY



SELF CONTAINED

H1TC

COMBINATION HOT COLD



Standard Features

- LED lighting
- Digital controller display fitted
- 2 levels heated, 2 levels refrigerated
- Powder coated galvanized steel construction
- Self-contained, plug and play installation
- Ventilated condenser
- Castors as standard
- Automatic condensate removal
- Bottom mounted refrigeration system
- Colour: Black internal, Black external
- Refrigerant: R290

Code	H1TH-14
Total Length (mm)	1330

TEMPERATURE CLASS: HOT

(+65 / +80 °C)

Coming Soon

ENHANCED ENERGY EFFICIENCY & VERSATILITY



Semi Vertical Display Cabinets

Adjustable shelving options to optimise merchandising

Ergonomic design for easy product access

Optimised display with LED canopy lighting

Stainless steel reinforced shelving and base tray

Slim profile to fit with grocery racking

Environmentally-friendly R-290 refrigerant

Easy plug-in on-site installation



Strong
Metallic
Inner Liner



LED
Illumination



Eco-friendly
Refrigerant



Tropical
Class



SELF CONTAINED
SGN141S

SEMI VERTICAL GRAB AND GO CABINET



Standard Features

- Eco-friendly and durable internal and external powder coat finish
- Single row of 4000K LED canopy lighting
- 2 rows of powder coated shelves plus base
- Ticket strips
- Long life galvanized internal base
- Night blind - manual slow release
- Rubber bumper
- Castors
- Acrylic front
- Automatic condensate removal
- EC fan motors
- Digital thermometer display fitted
- Glass view ends

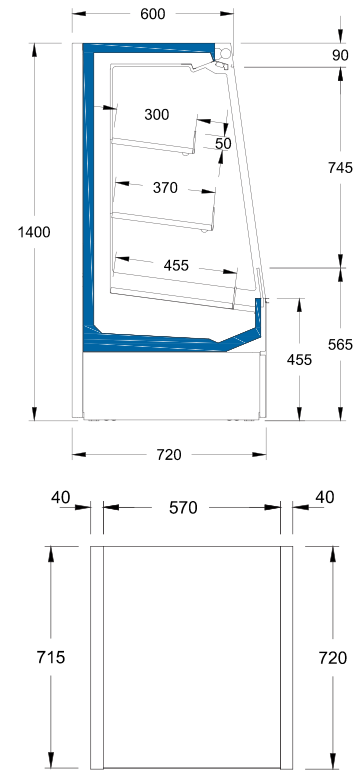
Products	Total Length (mm)	Net Volume (L)	Display Area (m ²)
SGN - 141S	650	159	0.42

Standard Depth: 720mm | Standard Height: 1400mm

TEMPERATURE CLASS: 3M1

❄️ (-1°C to +4°C)

ENHANCED ENERGY EFFICIENCY & VERSATILITY



SELF CONTAINED
SGN152S

SEMI VERTICAL GRAB AND GO CABINET



Standard Features

- Internal and external powder coating
- Single row of 4000K LED canopy lighting
- 1 row of 330mm powder coated reinforced shelves
- 2 row of 360mm powder coated reinforced shelves
- Wire air return
- Galvanised base
- Adjustable feet
- Castors
- Condensation removal
- Evaporator assembly fitted with capillary
- EC fan motors
- Digital thermometer display fitted
- Alarm probe fitted with conduit
- Wire or acrylic shelf fences

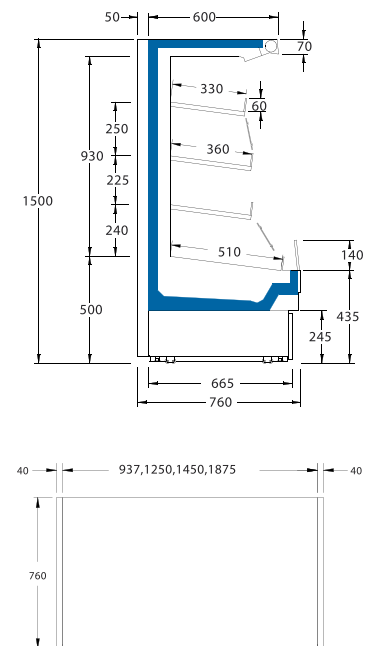
Products	Total Length (mm)	Display Area (m ²)
SGN152S-1	1017	1.46
SGN152S-2	1330	1.81
SGN152S-3	1955	2.72
SGN152S-CROWN	1530	2.10

Standard Depth: 760mm | Standard Height: 1500mm

TEMPERATURE CLASS: S

❄️ (0°C to +10°C)

ENHANCED ENERGY EFFICIENCY & VERSATILITY



SELF CONTAINED
SGND153S

SEMI VERTICAL HINGED GLASS DOOR CABINET

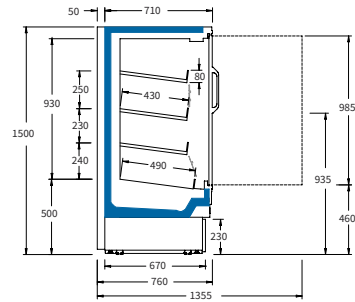
 ENHANCED ENERGY EFFICIENCY
& VERSATILITY



Standard Features

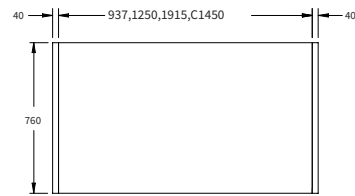
Internal and external powder coating
Single row of 4000K LED canopy lighting
3 rows of 430mm powder coated reinforced shelves
Hinged frameless doors and handles
Galvanised base for enhanced durability

Under-shelf LED Lighting
Adjustable feet
Electronic Controller
Automatic condensate removal
EC fan motors
Digital thermometer display fitted



Products	Total Length (mm)	Net Volume (L)	Display Area (m ²)	Amperes (Amps)
SGN153S-1	1017	400	1.46	10
SGN153S-2	1330	540	1.81	10
SGN153S-3	1955	805	2.72	10
SGN153S-CROWN	1530	625	2.10	10

Standard Depth: 760mm | Standard Height: 1500mm



TEMPERATURE CLASS: 3M1

 (-1°C to +5°C)

SELF CONTAINED
SGND153S

SEMI VERTICAL SLIDING GLASS DOOR CABINET

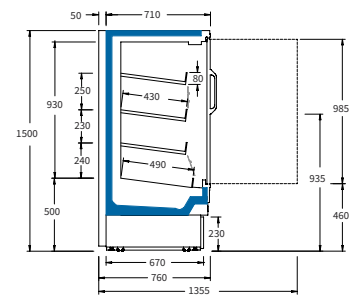
 ENHANCED ENERGY EFFICIENCY
& VERSATILITY



Standard Features

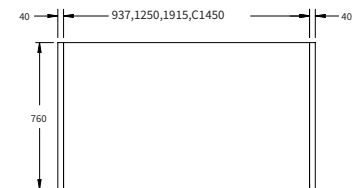
Internal and external powder coating
Single row of 4000K LED canopy lighting
3 rows of 430mm powder coated reinforced shelves
Sliding glass doors with handles
Galvanised base for enhanced durability

Under-shelf LED Lighting
Adjustable feet
Electronic Controller
Automatic condensate removal
EC fan motors
Digital thermometer display fitted



Products	Total Length (mm)	Net Volume (L)	Display Area (m ²)	Amperes (Amps)
SGN153S-1	1017	400	1.46	10
SGN153S-2	1330	540	1.81	10
SGN153S-3	1955	805	2.72	10
SGN153S-CROWN	1530	625	2.10	10

Standard Depth: 760mm | Standard Height: 1500mm



TEMPERATURE CLASS: 3M1

 (-1°C to +5°C)

Dual Temperature & Specialty



Dual zone temperature cabinet with top mounted chiller and bottom mounted freezer for combination merchandising

Small footprint with maximised display area

Best visual impact for products with energy efficient LED lighting

Low Total Energy Consumption to save on total energy costs

Environmentally sustainable design using natural refrigerant

Environmentally sustainable design using natural refrigerant

Self-closing doors to help save energy loss



Strong Metallic Inner Liner



LED Illumination



Eco-friendly Refrigerant



Tropical Class



SELF CONTAINED
ICESG-DT

SINGLE GLASS DOOR DUAL TEMP CABINET



Coming Soon

ENHANCED ENERGY EFFICIENCY & VERSATILITY



Standard Features

- Internal and external plasticised metal sheet finish
- Double vertical side mounted LED lights
- Ticket strips
- Digital controller with temperature display
- Ventilated condensing unit
- Triple glazed single glass door
- 4 x 475mm shelves included
- Refrigerant: R290
- Rear directional rollers
- EC fan motors

Products	Total Length (mm)	Net Volume (L)	Display Area (m ²)
ICESG - DT	730	335	0.81

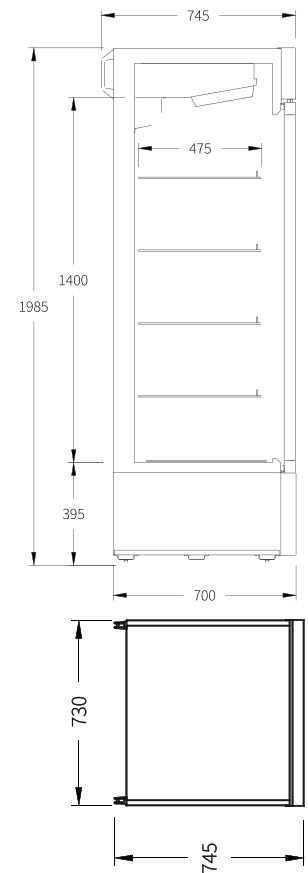
Standard Depth: 745mm | Standard Height: 1985mm

TEMPERATURE CLASS: 3M1

(-1°C to +5°C)

TEMPERATURE CLASS: 3L1

(-18°C to -15°C)



SELF CONTAINED
ICE2Z

DUAL ZONE VERTICAL CHILLER/FREEZER



Coming Soon

ENHANCED ENERGY EFFICIENCY & VERSATILITY



Standard Features

- External and internal plasticised metal sheet finish
- Double vertical side mounted LED lights in both zones
- Ticket strips
- Ventilated evaporator
- Digital controller with temperature display
- Ventilated condensing unit
- Double glazed glass door (top)
- Triple glazed glass door (bottom)
- Dual Zone chiller and freezer
- 2 Shelves plus base included in each zone
- Refrigerant: R290
- Rear directional rollers
- EC fan motors

Products	Total Length (mm)	Net Volume (L)	Display Area (m ²)
ICE2Z	520	242	0.51

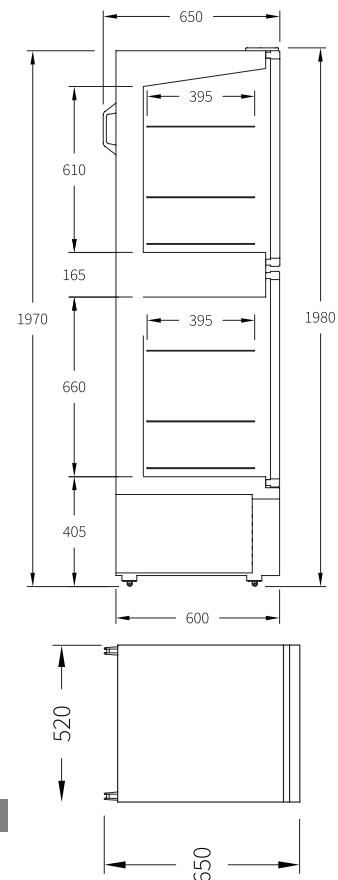
Standard Depth: 600mm | Standard Height: 1970mm

TEMPERATURE CLASS: 3M1

(-1°C to +5°C)

TEMPERATURE CLASS: 3L1

(-18°C to -15°C)



SELF CONTAINED
ICE CTF67

COUNTERTOP DISPLAY FREEZER

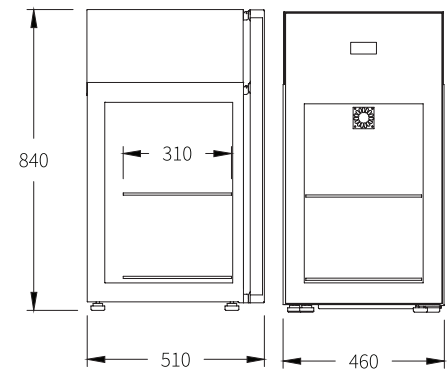
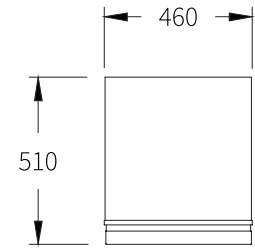
Coming Soon

ENHANCED ENERGY EFFICIENCY & VERSATILITY



Standard Features

- Pre-painted steel exterior in white
- Internal plastified metal sheet finish in white
- LED lighting
- Ticket strips
- Static refrigeration system
- Digital Controller display
- Ventilated condenser
- Embraco compressor
- Triple glazed hinged glass door
- 3 x baskets included
- Refrigerant: R290



Products	Total Length (mm)	Net Volume (L)	Display Area (m ²)
CTF67	460	54	0.18

Standard Depth: 507mm | Standard Height: 830mm

TEMPERATURE CLASS: 3L1
❄️ (-24°C to -18°C)

SELF CONTAINED
ICE VIEW 157

HORIZONTAL FREEZER

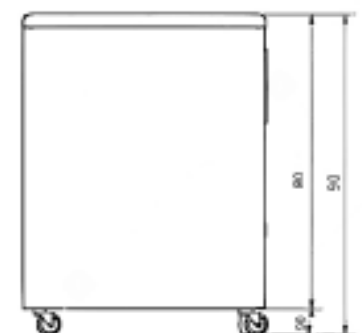
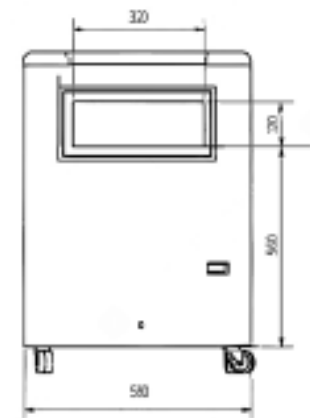
Coming Soon

ENHANCED ENERGY EFFICIENCY & VERSATILITY



Standard Features

- Sliding glass lids
- Lockable swivel castors
- Pre-painted steel exterior in white
- Internal plastified metal sheet finish in white
- LED lighting
- Ticket strips
- Static refrigeration system
- Digital Controller display fitted
- Ventilated condenser
- Embraco compressor
- 2 x baskets included
- Refrigerant: R290
- ICE View 325 is also available



Products	Total Length (mm)	Net Volume (L)	Display Area (m ²)
ICEVIEW157	590	96	0.22

Standard Depth: 680mm | Standard Height: 910mm

TEMPERATURE CLASS: 3L1
❄️ (-24°C to -18°C)

SELF CONTAINED

VIEW-VS SERIES

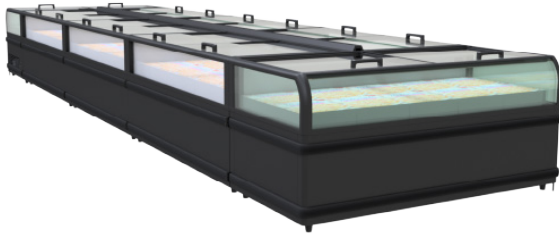
DUAL TEMP VARIABLE SPEED ISLAND CABINET

 ENHANCED ENERGY EFFICIENCY & VERSATILITY

INVERTER

 NATURAL SOLUTIONS R290

 PLUG & PLAY

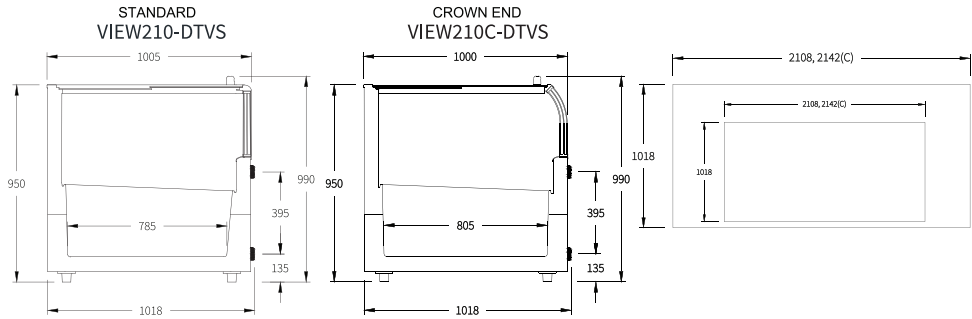


Standard Features

- External and internal food grade plasticised metal sheet finish
- Single horizontal front and rear mounted lights
- Static refrigeration system with copper evaporator
- Adjustable LED lights (white/pink)
- Ventilated condensing unit
- Variable speed compressor (inverter)
- Glass push-pull lids
- Rubber bumper (black)
- Automatic hot-gas defrost installed
- Four dividers and four shelves provided for each 2100 section
- Refrigerant: R290
- EC fan motors

Products	Total Length (mm)	Net Volume (L)	Display Area (m ²)
VIEW210-DTVS	2200, 2500	672	1.68
VIEW210C-DTVS	2142	672	1.66

Standard Depth: 1018mm | Standard Height: 990mm



TEMPERATURE CLASS: 3M1

(-1°C to +5°C)

TEMPERATURE CLASS: 3L1

 (-18°C to -15°C)

SELF CONTAINED

ARCH SERIES

MODULAR DUAL TEMP ISLAND CABINET

 ENHANCED ENERGY EFFICIENCY & VERSATILITY

INVERTER

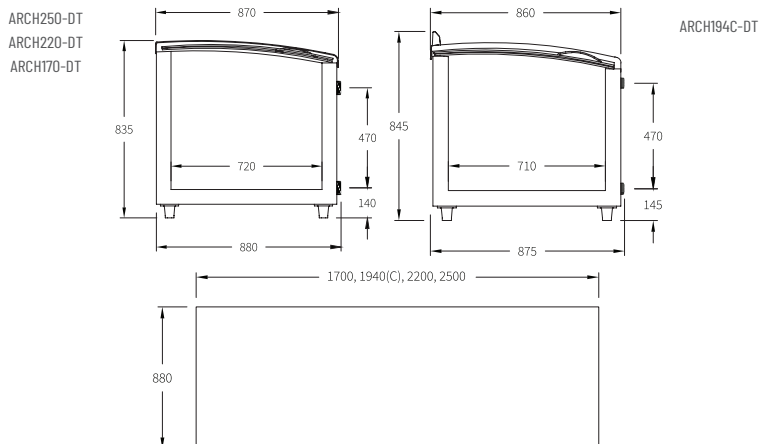
 NATURAL SOLUTIONS R290

 PLUG & PLAY



Standard Features

- External and internal food grade plasticised metal sheet finish
- Single horizontal front mounted 5700K LED light
- Ticket strips
- Rubber bumper (black)
- Static refrigeration system with copper evaporator
- Ventilated condensing unit
- Digital controller with temperature display
- Glass sliding doors
- Automatic hot-gas defrost
- Dividers and shelves provided
- Refrigerant: R290
- EC fan motors



Products	Total Length (mm)	Net Volume (L)	Display Area (m ²)
ARCH250-DTVS	2500	677	1.5
ARCH220-DTVS	2200	577	1.3
ARCH170-DTVS	1700	411	0.97
ARCH194C-DTVS	1940 (Crown)	452	1.19

Standard Depth: 860mm | Standard Height: 835mm

TEMPERATURE CLASS: 3M1

 (-1°C to +5°C)

TEMPERATURE CLASS: 3L1

 (-18°C to -15°C)

SELF CONTAINED

ARCH-VS SERIES

MODULAR DUAL TEMP VARIABLE SPEED ISLAND CABINET

ENHANCED ENERGY EFFICIENCY & VERSATILITY

INVERTER

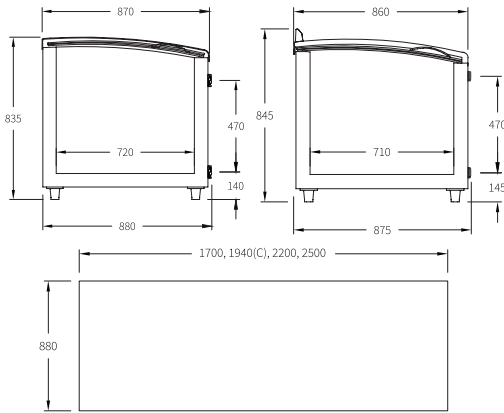
NATURAL SOLUTIONS R290

PLUG & PLAY



Standard Features

- External and internal food grade plasticised metal sheet finish
- Single horizontal front mounted 5700K LED light
- Ticket strips
- Rubber bumper (black)
- Static refrigeration system with copper evaporator
- Ventilated condensing unit
- EC fan motors
- Digital controller with temperature display
- Glass sliding doors
- Automatic hot-gas defrost
- Dividers and shelves provided
- Refrigerant: R290
- Variable speed compressor (inverter)



Products	Total Length (mm)	Net Volume (L)	Display Area (m ²)
ARCH250-DTVS	2500	677	1.5
ARCH220-DTVS	2200	577	1.3
ARCH170-DTVS	1700	411	0.97
ARCH194C-DTVS (Crown)	1940	452	1.19

Standard Depth: 880mm | Standard Height: 835mm

TEMPERATURE CLASS: 3M1
 (-1°C to +5°C)

TEMPERATURE CLASS: 3L1
 (-18°C to -15°C)

SELF CONTAINED

ARCH PLUS

DUAL TEMP VERTICAL TOP MOUNTED CABINET

ENHANCED ENERGY EFFICIENCY & VERSATILITY

INVERTER

NATURAL SOLUTIONS R290

PLUG & PLAY



Standard Features

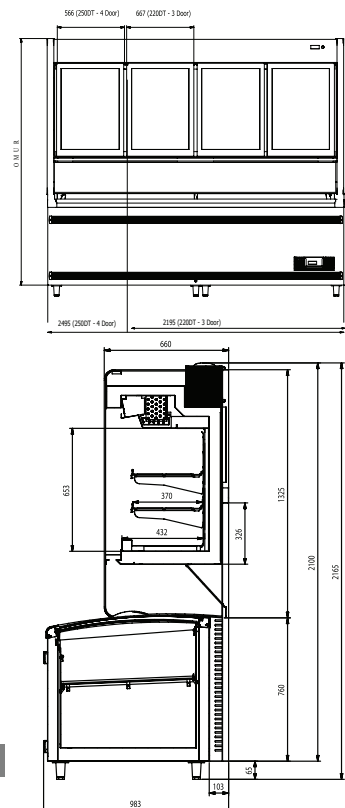
- External and internal food grade plasticised metal sheet finish
- Vertical mounted 5700K LED light
- Ticket strips
- Ventilated refrigeration system with copper evaporator
- Ventilated condensing unit
- Glass, self-closing hinged doors
- Automatic hot-gas defrost
- Shelves configuration: 2 shelf rows plus base
- Refrigerant: R290
- EC fan motors
- Digital controller with temperature display

Products	Total Length (mm)	Net Volume (L)	Display Area (m ²)
ARCH PLUS220- DT	2200	415	1.00
ARCH PLUS250- DT	2500	554	1.11

Standard Depth: 630mm | Standard Height: 1315mm

TEMPERATURE CLASS: 3M1
 (-1°C to +5°C)

TEMPERATURE CLASS: 3L1
 (-18°C to -15°C)



Heated Display Cabinets

Multi level island cabinet
with hexagonal footprint

Ergonomic design for
easy product access

Suitable for
merchandising packaged
hot food

Ability to merchandise up
to 48 packaged chickens
presented in single layers

Low Total Energy
Consumption (TEC)

Product temperature
compliance

Simple to install and
maintain



HOT
REM

HEATED SELF SERVICE DISPLAY CABINET



Standard Features

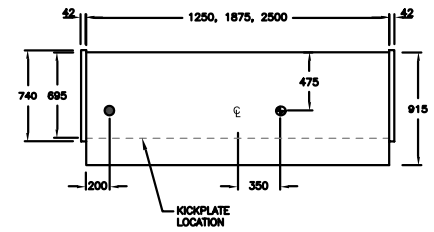
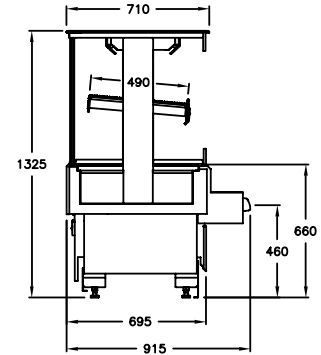
- Full stainless steel interior
- Powder coated front exterior panels
- Halogen canopy and shelf lighting
- Top tier 490mm
- Electric box rear lower access
- Shelf radiant heating
- Kickplate
- Rubber bumper
- Digital thermometer display fitted

Code	REM
Length (mm) Excl. ends	1250, 1875, 2500
Depth (mm)	915

TEMPERATURE CLASS: HOT

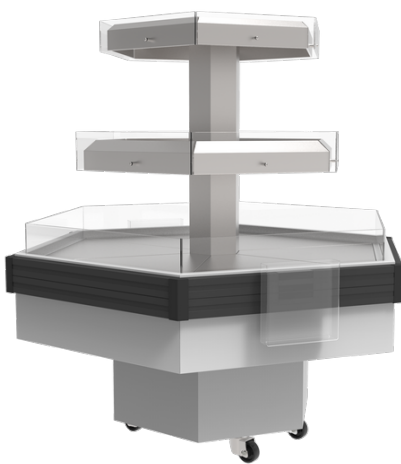
(+65 / +80 °C)

ENHANCED ENERGY EFFICIENCY
& VERSATILITY



HOT
RHR

HEATED SELF SERVICE DISPLAY CABINET



Standard Features

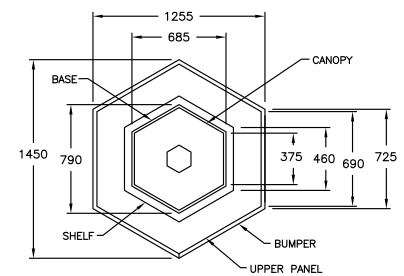
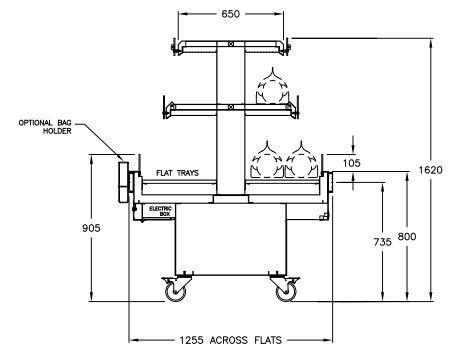
- Full stainless steel interior
- Powder coated front exterior panels
- Top tier 275mm, base 460mm
- Electric box rear lower access
- Halogen lighting on both levels
- Radiant heat on both levels
- Poly carbonate & acrylic heat guards
- Temperature indicators
- Plastic bumper
- Protected evaporator assembly fitted with valve
- Digital thermometer display fitted
- Promotional light box on the top of the canopy
- Lockable 125 mm castors (to allow mobility)
- Power supply through canopy or base

Code	RHR
Length (mm) Excl. ends	1255
Depth (mm)	1450

TEMPERATURE CLASS: HOT

(+65 / +80 °C)

ENHANCED ENERGY EFFICIENCY
& VERSATILITY



HOT
MIC

HEATED SELF SERVICE DISPLAY CABINET



Standard Features

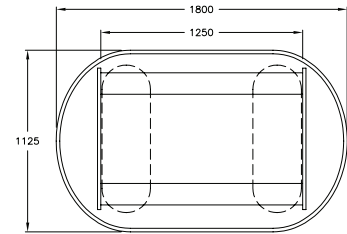
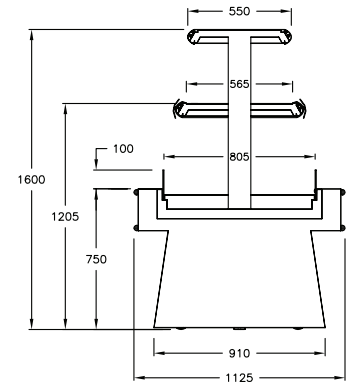
- Full stainless steel interior
- Painted upper canopy
- Electric box access inside leg
- Halogen lighting on both levels
- Radiant heat on both levels
- Poly carbonate & acrylic heat guards
- Fixed base
- Rubber bumper
- Digital thermometer display fitted
- Square profile available

Code	MIC
Length (mm) Excl. ends	1800
Depth (mm)	1125

TEMPERATURE CLASS: HOT

(+65 / +80°C)

ENHANCED ENERGY EFFICIENCY
& VERSATILITY



HOT
HCCR

HOT COLD COMBINATION



Standard Features

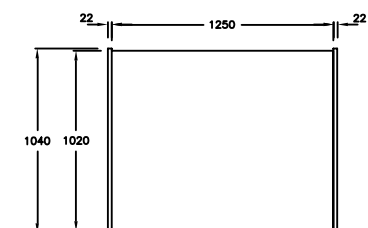
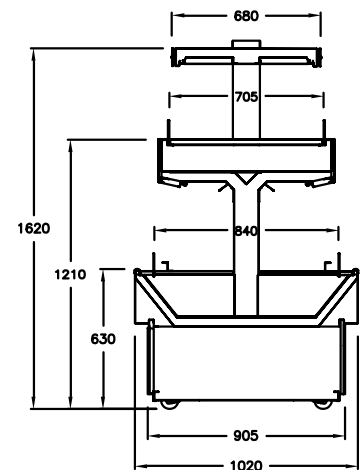
- Full stainless steel upper section
- Painted internal lower section
- Fully self contained R449A
- Hot top section with chiller lower section
- Top tier 705mm
- LED lighting in lower section
- Protected evaporator assembly fitted with valve
- Digital thermometer display fitted

Code	HCCR
Length (mm) Excl. ends	1250
Depth (mm)	1040

TEMPERATURE CLASS: 3M1

(-1°C to +5°C)

ENHANCED ENERGY EFFICIENCY
& VERSATILITY



HOT
KH14

HEATED SELF SERVICE DISPLAY CABINET

 ENHANCED ENERGY EFFICIENCY & VERSATILITY



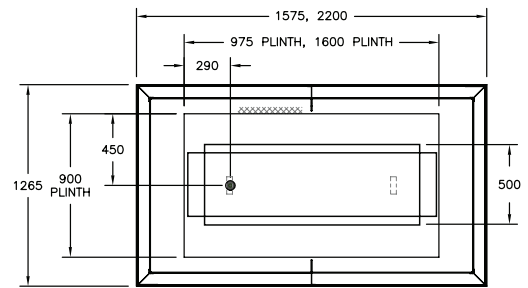
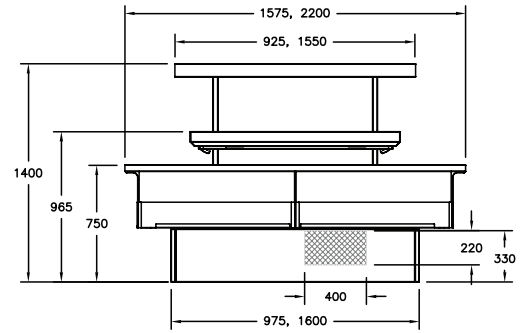
Standard Features

- Full stainless steel interior
- Powder coated canopy & front exterior panels
- Electrical connection on top
- Halogen lighting on both levels
- Radiant heat on both levels
- Fixed base with height adjustable base trays (flat or angled)

Code	KH14
Length (mm)	1575, 2200
Depth (mm)	1265

TEMPERATURE CLASS: HOT

 (+65°C)



HOT
SMNH1400

SEMI VERTICAL HOT CABINET

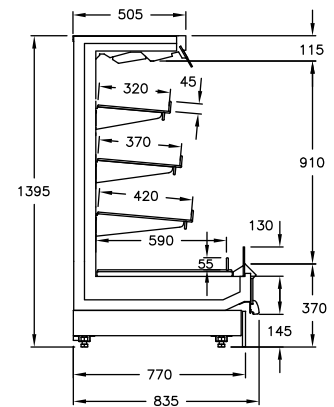
 ENHANCED ENERGY EFFICIENCY & VERSATILITY



Standard Features

- Full stainless steel interior
- Powder coated front exterior panels
- Halogen canopy and shelf lighting
- 3 or 4 tier options
- 2 x rows of shelving 370mm, 420mm
- Electric box rear lower access

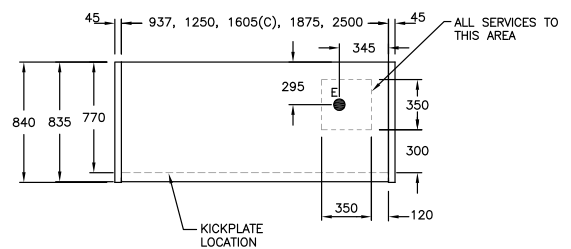
- Shelf radiant heating
- Kickplate
- Rubber bumper
- Digital thermometer display fitted
- Draw wire in conduit for air probe



Code	SMNH1400
Length (mm) Excl. ends	937, 1250, 1875, 2500
Length (mm) Crown end	1605
Depth (mm)	840

TEMPERATURE CLASS: HOT

 (+65 / +80°C)



HOT

SMNH1503

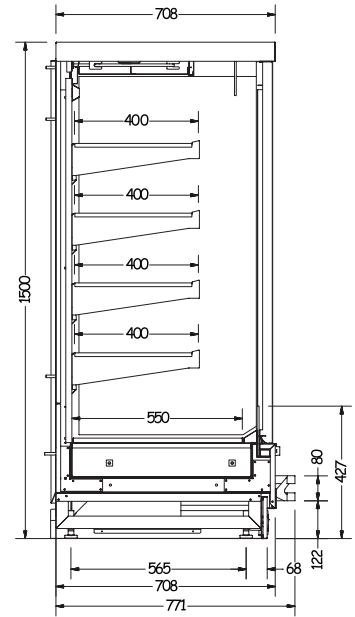
NARROW SELF SERVE HOT DISPLAY CABINET

 ENHANCED ENERGY EFFICIENCY & VERSATILITY



Standard Features

- Full stainless steel interior
- Powder coated front exterior panels
- Halogen canopy and shelf lighting
- 5 tier standard, option for 4
- 4 x rows of shelving, 400mm
- Electric box rear lower access
- Shelf radiant heating
- Kickplate
- Rubber bumper
- Digital thermometer display fitted
- Draw wire in conduit for air probe



Code	SMNH1503
Length (mm) Excl. ends	937, 1250, 1875, 2500
Length (mm) Crown end	1605
Height (mm)	1500
Depth (mm)	840

TEMPERATURE CLASS: HOT

 (+65 / +80 °C)

DELI

VLL726BLS

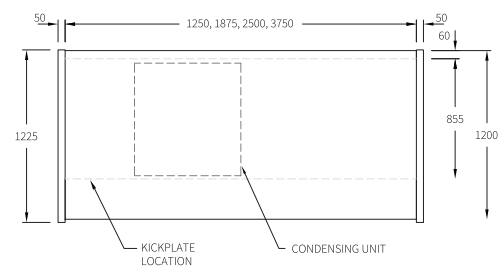
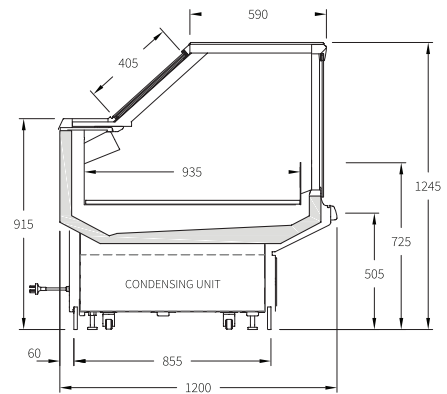
SERVICED DELI SELF-CONTAINED DISPLAY CABINET

 ENHANCED ENERGY EFFICIENCY & VERSATILITY



Standard Features

- Full stainless steel interior
- Stainless steel deck pan
- Powder coated front exterior panels
- Hinged flat front glass
- Single row of canopy lights
- Front kickplate
- Rubber bumper
- Protected evaporator assembly fitted with valve
- Digital thermometer display fitted



Code	VLL726BLS
Length (mm) Excl. ends	1250, 1875, 2500, 3750
Depth (mm)	1205 [V Series Deli] 1090 [D Series Deli]

TEMPERATURE CLASS: 3L1

 (-1 °C to +4 °C)

Promotional Display Merchandisers



Ergonomic design for
easy access

Optimised display with
LED lighting

Low Total Energy
Consumption (TEC)

Longer merchandise shelf
life

Designed for modular
configurations

Suitable for Drinks,
Specialty, Bakery and
Grab and Go
merchandising

SELF CONTAINED

AME12S

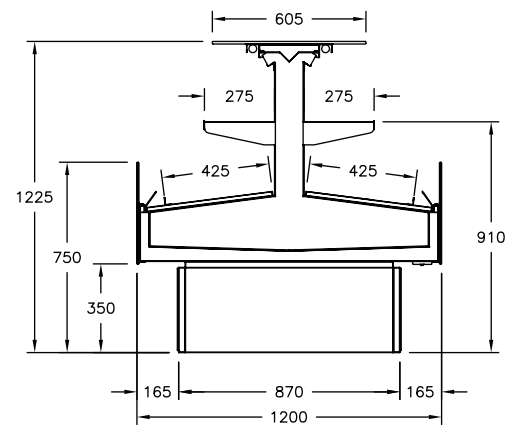
ISLAND MERCHANDISER

ENHANCED ENERGY EFFICIENCY
& VERSATILITY



Standard Features

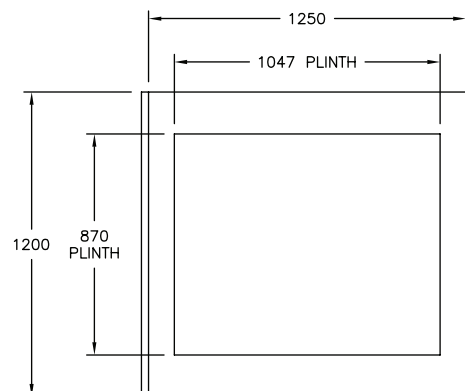
- Internal and external powder coating
- Single row of 4000K LED canopy lighting
- 1 row of 275mm glass lit shelves
- Angled base deck 425mm
- Ticket strips
- Air return grill
- Galvanised base
- Evaporator assembly fitted with valve
- Condensing Unit featuring Reverse Fan Technology
- EC fan motors
- Digital display fitted
- Alarm probe fitted with conduit and draw wire



Code	AME12S
Length (mm) Excl. ends	1250
Depth (mm)	1200

TEMPERATURE CLASS: 3M1

(-1°C to +5°C)



Rent or Buy

**Flexible short and long term
Rental option available**



Hussmann Rental

Scan the code to learn more about our rental options

Application Process:

- Contact for a quote - Phone 1300 740 805 or email Rental@hussmann.com
- Agreement forms completed
- Hussmann arranges delivery of the cases (Tested and Tagged prior to delivery)
- Invoiced monthly unless arranged prior
- We will contact you prior to collection to confirm pick up date or rental extension

www.hussmann.com.au

Email: Rental@hussmann.com

Ph: 1300 740 805

Rental applicable to Australia only.

Hussmann Australia Pty. Ltd.

📍 66 Glendenning Road Glendenning, NSW 2761 Australia

☎ +612 8805 0400

🌐 www.hussmann.com.au

McAlpine Hussmann Ltd. New Zealand

📍 2-6 Niall Burgess Road, Mt. Wellington, Auckland 1060

☎ 0800 473 374

🌐 www.mcalpinehussmann.co.nz



HUSSMANN®