

SELF CONTAINED

# ARCH-VS SERIES

MODULAR DUAL TEMP VARIABLE SPEED ISLAND CABINET



ENHANCED ENERGY EFFICIENCY  
& VERSATILITY

**HUSSMANN**<sup>®</sup>

**microSC**<sup>™</sup>



## PRODUCT BENEFITS

- Ergonomic design for easy product access
- Flexible shelving configurations to optimise merchandising
- Best visual impact for products with energy efficient LED lighting
- Low Total Energy Consumption to save on total energy costs
- Ensured product temperature compliance tested
- Designed for modular configurations to suit many store formats
- Small footprint with maximised display area
- Reinforced shelving to suit varied product weight
- Environmentally sustainable design using natural refrigerant
- Adjustable feet for easy levelling installation
- Easy plug-in on-site installation
- Low reflective E-coated glass for improved product visibility and temperature control
- Flexible dual temperature cabinet (LT and MT) that easily changes from freezer to chiller to provide optimised merchandising to meet customer demand
- Bottom front drainage opening for easy cleaning
- Also Available, the Arch Plus, an optional dual-temperature, vertical add-on to the Arch Series, allowing for space-efficient multi-zone merchandising.

## STANDARD FEATURES

- External and internal food grade plasticised metal sheet finish
- Single horizontal front mounted 5700K LED light
- Ticket strips
- Rubber bumper (black)
- Static refrigeration system with copper evaporator
- Digital controller with temperature display
- Ventilated condensing unit
- Variable speed compressor (inverter)
- Glass sliding doors
- Automatic hot-gas defrost
- Dividers and shelves provided based on length (1700 - 2/3, 2200 - 3/4, 2500 - 4/5, 1940 - 3/4)
- Refrigerant: R290
- EC fan motors

## CUSTOMISATIONS

### Shelving & Base Shelf

- Additional shelves and dividers
- Baskets

### Lighting

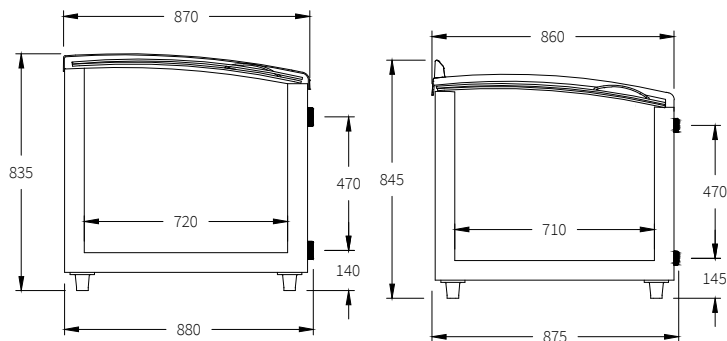
- Additional rear mounted LED lighting available

### Other

- Castors
- Brushed stainless steel kickplate
- Rear metal joining kit for island configurations
- Other foot heights available (75mm, 110mm)
- Alternative bumper colour options available
- External and internal colours available on request

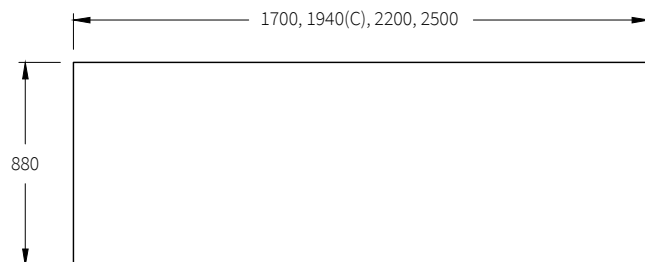
### Energy & Sustainability

- Modbus ready



ARCH250-DTVS  
ARCH220-DTVS  
ARCH170-DTVS

ARCH194C-DTVS



| TECHNICAL DATA                 |                      |                       |              |              |              |               |
|--------------------------------|----------------------|-----------------------|--------------|--------------|--------------|---------------|
| CODE                           | Standard Depth 880mm | Standard Height 835mm | ARCH250-DTVS | ARCH220-DTVS | ARCH170-DTVS | ARCH194C-DTVS |
| Total Length (mm)              |                      |                       | 2500         | 2200         | 1700         | 1940 (crown)  |
| Net Volume (L)                 |                      |                       | 677          | 577          | 411          | 452           |
| Display Area (m <sup>2</sup> ) |                      |                       | 1.5          | 1.3          | 0.97         | 1.19          |

| TEMPERATURE CLASS    |                        |
|----------------------|------------------------|
| 3M1                  | 3L1                    |
| <br>(-1 °C to +5 °C) | <br>(-18 °C to -15 °C) |

#### Additional Information

All Dimensions shown in Millimetres (mm) unless otherwise stated. Dimensions and features are subject to change. Please obtain current technical information prior to order confirmation.

**NOTE:** We reserve the right to change or revise specifications and product design in connection with any feature of our products. Such changes do not entitle the buyer to corresponding changes, improvements, additions or replacements for equipment previously sold or Shipped.

© 2021 Hussmann Corporation - Version - V.1.0

## Australia Head Office

66 Glendenning Road Glendenning, NSW 2761 Australia

ph. +612 8805 0400

w. www.hussmann.com.au

# HUSSMANN®