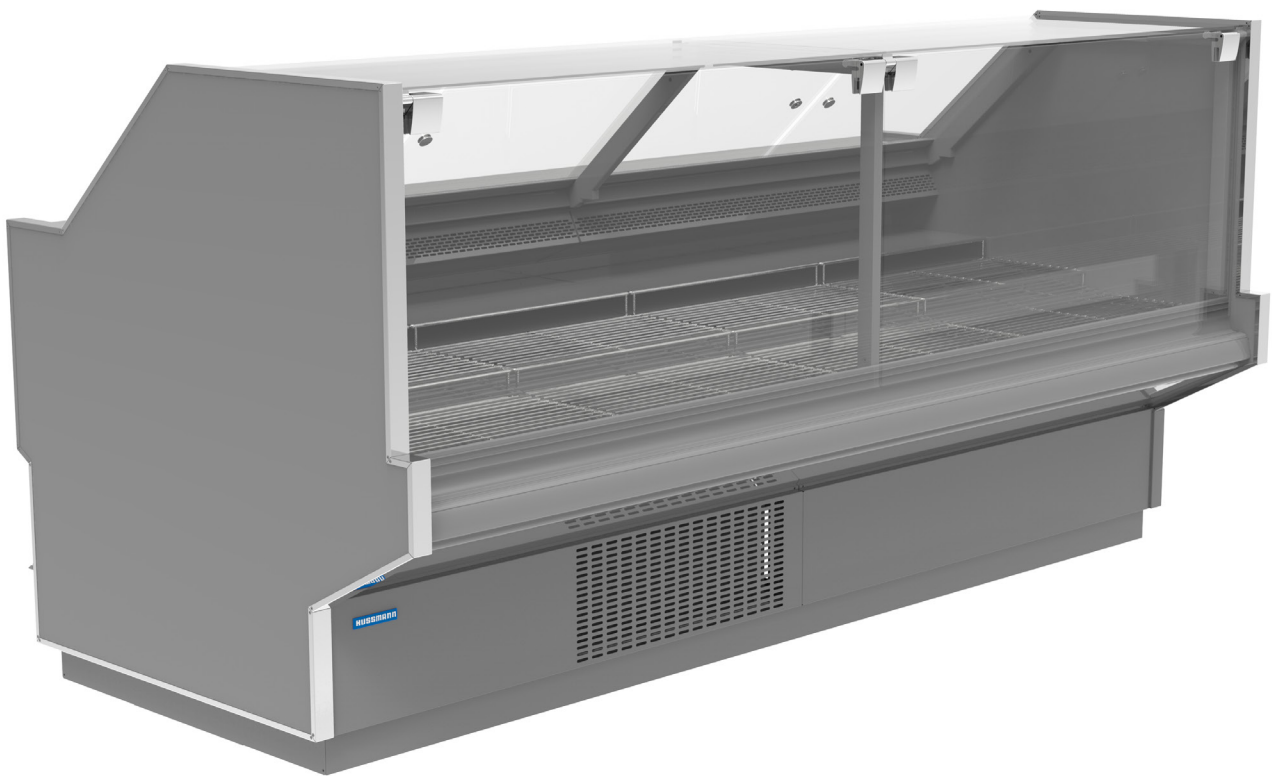


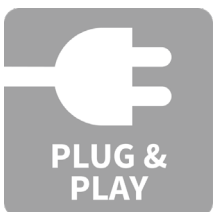
DELI

VLL726BLS

SERVICED DELI SELF-CONTAINED DISPLAY CABINET



ENHANCED ENERGY EFFICIENCY
& VERSATILITY



HUSSMANN[®]

PRODUCT BENEFITS

- Ergonomic design for easy access
- Low product dehydration
- Low Total Energy Consumption (TEC)
- Product temperature compliance
- Longer merchandise shelf life
- Self contained plug and play

STANDARD FEATURES

- Full stainless steel interior
- Stainless steel deck pan
- Powder coated front exterior panels
- Hinged flat front glass
- Single row of canopy lights
- Front kickplate
- Rubber bumper
- Protected evaporator assembly fitted with valve
- Digital thermometer display fitted

CUSTOMISATIONS

Accessories

- Stainless steel wire angled rack

Lighting

- Optimised display with LED lighting
- Optional premium lighting colour choice available

Ends

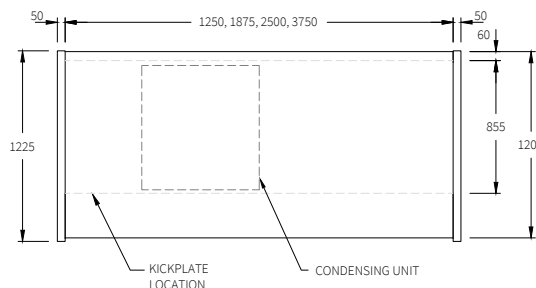
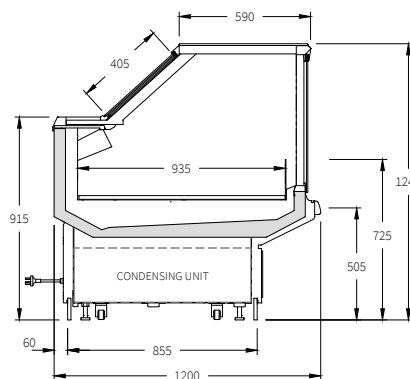
- Solid mirror ends
- Panoramic end
- Common end
- Product divider

Bumper

- Stainless steel bumper

Other

- Technology solutions




AVAILABLE LENGTHS

Excluding Ends: 2500 mm

OTHER DELI SERIES

- CS Series Deli
- D Series Deli

TEMPERATURE CLASS
3M0

(-1 °C to +4 °C)

AVAILABLE COLOURS



Additional Information

All Dimensions shown in Millimetres (mm) unless otherwise stated. Dimensions and features are subject to change. Please obtain current technical information prior to order confirmation.

NOTE: We reserve the right to change or revise specifications and product design in connection with any feature of our products. Such changes do not entitle the buyer to corresponding changes, improvements, additions or replacements for equipment previously sold or Shipped.

© 2021 Hussmann Corporation - Version - V.1.0

Australia Head Office

66 Glendenning Road Glendenning, NSW 2761 Australia

ph. +612 8805 0400

w. www.hussmann.com.au

