

SELF CONTAINED

H1TD

SELF CONTAINED DOOR CHILLER CABINET



ENHANCED ENERGY EFFICIENCY
& VERSATILITY

HUSSmann®

PRODUCT BENEFITS

- Ergonomic design for easy access
- Alternative shelving layouts to optimise merchandising
- Optimised display with LED lighting
- Low Total Energy Consumption (TEC)
- Product temperature compliance
- Simple to install and maintain

STANDARD FEATURES

- Internal and external powder coating
- Single row of 4000K LED canopy lighting
- 4 rows of 450mm powder coated unlit shelves
- Ticket strips
- Wire air return grill
- Galvanised base
- Rubber bumper
- Adjustable feet
- 50mm Castors
- Acrylic front
- Condensation removal
- Evaporator assembly fitted with valve
- EC fan motors
- Digital thermometer display fitted
- Alarm probe fitted with conduit and draw wire

CUSTOMISATIONS

Shelving & Base Shelf

- Optional additional shelves and brackets
- Stainless steel reinforced solid shelving and base tray
- Roller shelving (optional product divider)
- Hang sell and bar
- Wire or acrylic shelf fences (45mm, 75mm)

Lighting

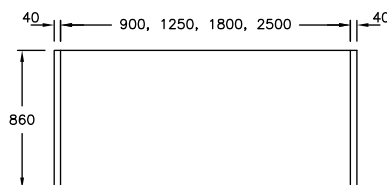
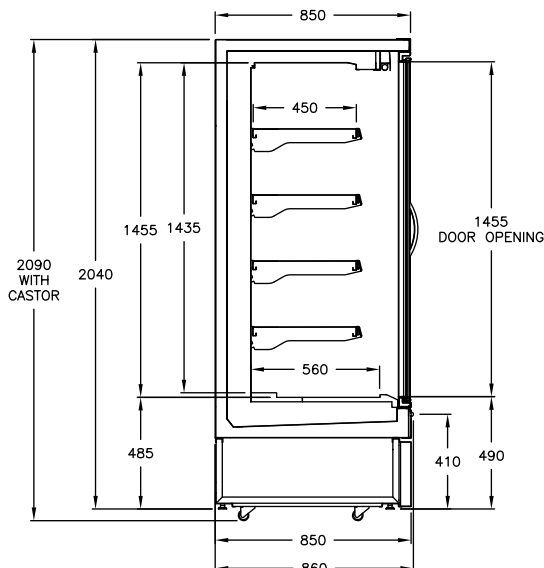
- Under-shelf lighting

Ends

- Solid mirror ends
- Glass view end

Other

- Technology solutions
- Electronic shelf labels or video rail



AVAILABLE LENGTHS

Excluding Ends: 900, 1250, 1800, 2500

AVAILABLE DEPTHS

H1 - Range: 850

H1T - Range: 860

TEMPERATURE CLASS

3M1



(-1 °C to +5 °C)

AVAILABLE COLOURS



Additional Information

All Dimensions shown in Millimetres (mm) unless otherwise stated. Dimensions and features are subject to change. Please obtain current technical information prior to order confirmation.

NOTE: We reserve the right to change or revise specifications and product design in connection with any feature of our products. Such changes do not entitle the buyer to corresponding changes, improvements, additions or replacements for equipment previously sold or Shipped.

