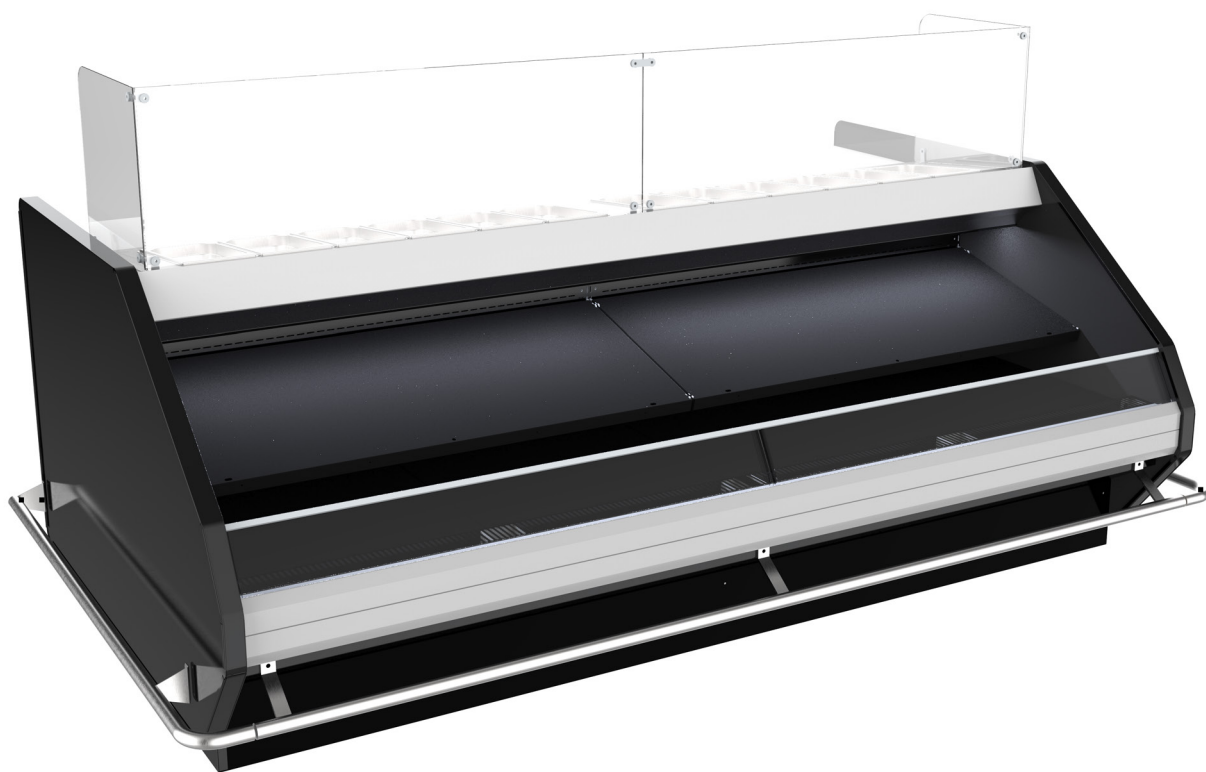


SUSHI

NS09

2 TIER - SELF SERVICE DISPLAY CABINET WITH PREP BENCH



ENHANCED ENERGY EFFICIENCY
& VERSATILITY

HUSSMANN®

PRODUCT BENEFITS

- Ergonomic design for easy access
- Suitable for merchandising packaged sushi
- Condiments tray storage
- Rear underbench storage
- Low Total Energy Consumption (TEC)
- Product temperature compliance
- Simple to install and maintain

STANDARD FEATURES

- Powder coated internal and external
- Top Tier 510mm
- Base tier 690mm
- LED Lighting
- Kickplate
- Stainless steel bumper
- 2x Evaporated assembly fitted with valves

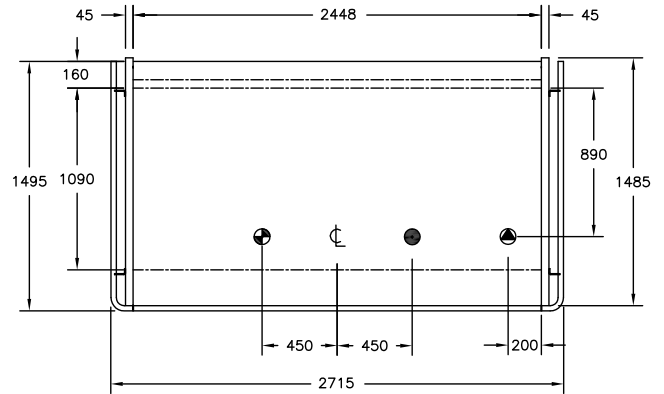
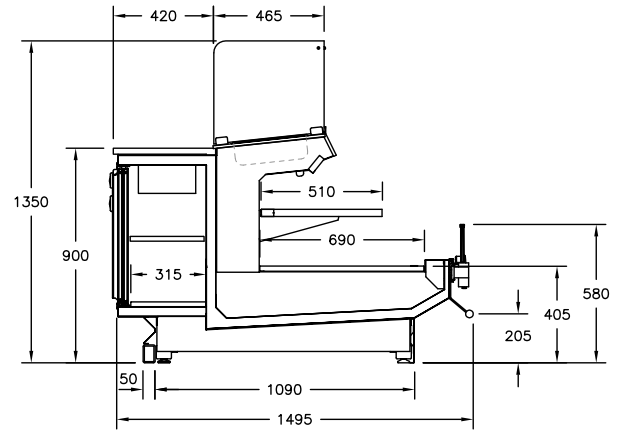
CUSTOMISATIONS

Bumper

- Stainless steel rail (single or double)

Other

- Technology solutions
- Electronic shelf labels



AVAILABLE LENGTHS

Excluding Ends: 2448

AVAILABLE DEPTHS

Including Bumper: 1495

TEMPERATURE CLASS

3M1

(-1 °C to +5 °C)

AVAILABLE COLOURS



Additional Information

All Dimensions shown in Millimetres (mm) unless otherwise stated. Dimensions and features are subject to change. Please obtain current technical information prior to order confirmation.

NOTE: We reserve the right to change or revise specifications and product design in connection with any feature of our products. Such changes do not entitle the buyer to corresponding changes, improvements, additions or replacements for equipment previously sold or Shipped.

