

HOT

MIC

2 TIER - SELF SERVICE DISPLAY CABINET



ENHANCED ENERGY EFFICIENCY
& VERSATILITY

HUSSMANN®

PRODUCT BENEFITS

- Ergonomic design for easy access
- Multi level island cabinet
- Suitable for merchandising packaged hot food
- Low Total Energy Consumption (TEC)
- Product temperature compliance
- Simple to install and maintain

STANDARD FEATURES

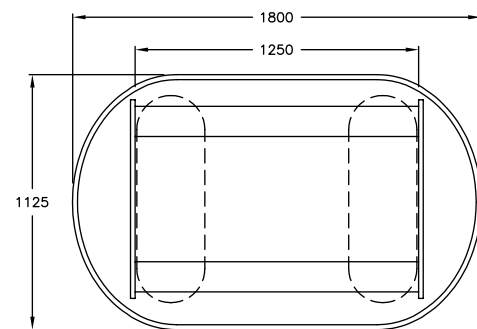
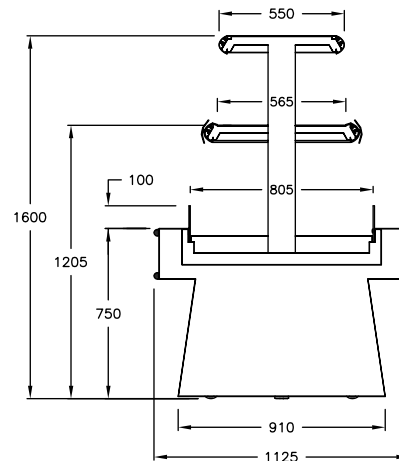
- Full stainless steel interior
- Painted upper canopy
- Electric box access inside leg
- Halogen lighting on both levels
- Radiant heat on both levels
- Poly carbonate & acrylic heat guards
- Fixed base
- Rubber bumper
- Digital thermometer display fitted

CUSTOMISATIONS

- Promotional light box on the top of the canopy
- Non-lockable castors
- Power supply through canopy or base

Other

- Technology solutions
- Electronic shelf labels



AVAILABLE LENGTHS

Excluding Ends: 1800

AVAILABLE DEPTHS

Standard: 1125

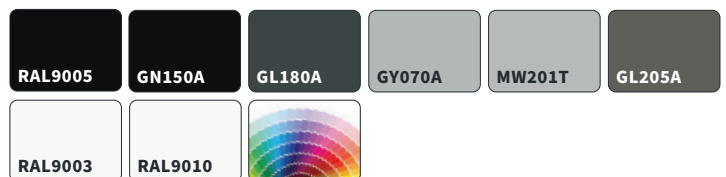
TEMPERATURE
CLASS

HOT



(+65 / +80 ° C)

AVAILABLE COLOURS



Additional Information

All Dimensions shown in Millimetres (mm) unless otherwise stated. Dimensions and features are subject to change. Please obtain current technical information prior to order confirmation.

NOTE: We reserve the right to change or revise specifications and product design in connection with any feature of our products. Such changes do not entitle the buyer to corresponding changes, improvements, additions or replacements for equipment previously sold or Shipped.



© 2020 Hussmann Corporation - Version - V.1.0

Australia Head Office

66 Glendenning Road Glendenning, NSW 2761 Australia

ph. +612 8805 0400

w. www.hussmann.com.au

HUSSMANN®