

HOT

SMH1400

SELF SERVE DISPLAY CABINET



ENHANCED ENERGY EFFICIENCY
& VERSATILITY

HUSSmann®

PRODUCT BENEFITS

- Ergonomic design for easy access
- Suitable for merchandising packaged hot food
- Suite into SM range or island end
- Low product dehydration
- Low Total Energy Consumption (TEC)
- Product temperature compliance
- Simple to install and maintain

STANDARD FEATURES

- Full stainless steel interior
- Powder coated front exterior panels
- Halogen canopy and shelf lighting
- 3 or 4 tier options
- 2 x rows of shelving 370mm, 420mm
- Electric box rear lower access
- Shelf radiant heating
- Kickplate
- Rubber bumper
- Digital thermometer display fitted
- Draw wire in conduit for air probe

CUSTOMISATIONS

- Additional Shelving

Accessories

- Tong holder
- Paper bag dispenser

Ends

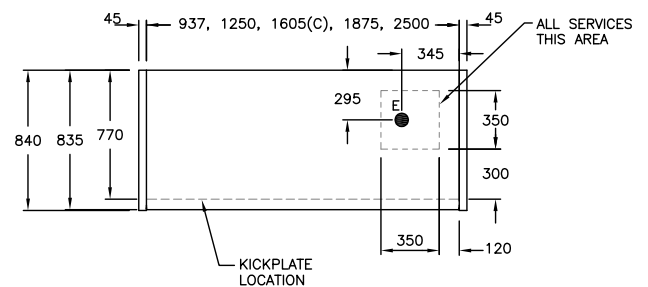
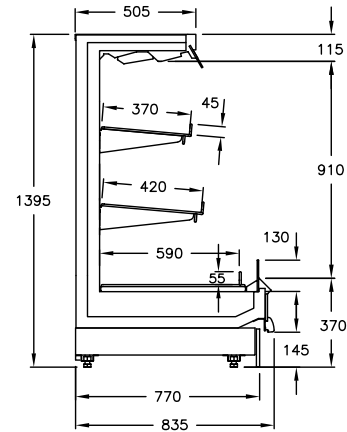
- Solid mirror ends
- Double glazed view ends

Bumper

- Stainless steel rail (single or double)


Other

- Technology solutions
- Electronic shelf labels



AVAILABLE LENGTHS

Excluding Ends: 937, 1250, 1875, 2500
Crown End: 1605

TEMPERATURE CLASS
HOT

(+65 / +80 ° C)

AVAILABLE DEPTHS

SMH - Standard: 840

AVAILABLE COLOURS

 RAL9005	 GN150A	 GL180A	 GY070A	 MW201T	 GL205A
 RAL9003	 RAL9010				

Additional Information

All Dimensions shown in Millimetres (mm) unless otherwise stated. Dimensions and features are subject to change. Please obtain current technical information prior to order confirmation.

NOTE: We reserve the right to change or revise specifications and product design in connection with any feature of our products. Such changes do not entitle the buyer to corresponding changes, improvements, additions or replacements for equipment previously sold or Shipped.

