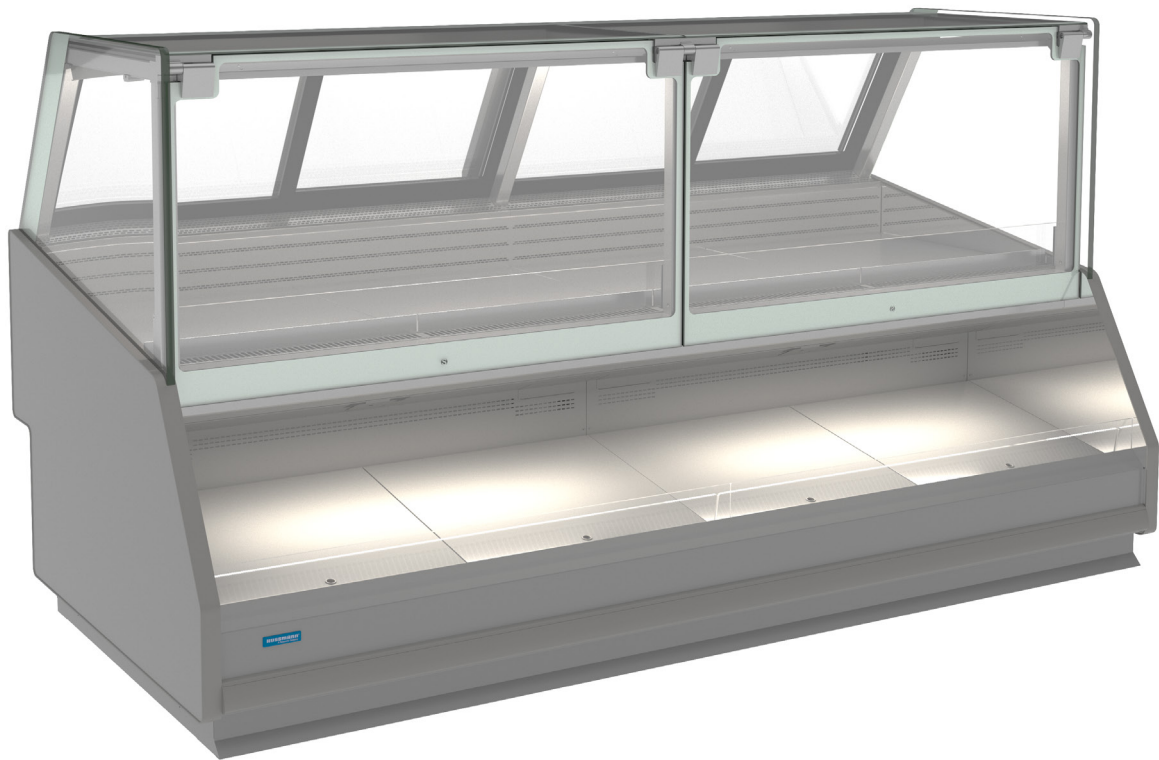


MEAT / POULTRY

CSD13

CHILLED SELF SERVE - COMBINATION



ENHANCED ENERGY EFFICIENCY
& VERSATILITY

HUSSmann®

PRODUCT BENEFITS

- Ergonomic design for easy access
- Optimised display with LED lighting
- Low product dehydration
- Low Total Energy Consumption (TEC)
- Longer merchandise shelf life
- Product temperature compliance
- Simple to install and maintain

STANDARD FEATURES

- Serviced section with full stainless steel interior
- Serviced section includes stainless steel deck pan
- Stainless steel rear exterior panels
- Powder coated front exterior panels
- Flat front glass
- Single row of 3300K canopy light
- Kickplate
- Rubber bumper
- Protected coated evaporator fitted with valve
- Digital thermometer display fitted
- Draw wire in conduit for air probe

CUSTOMISATIONS

Accessories

- Stainless steel wired angled rack
- Stainless steel wired stepped rack
- Scale stand kit
- Glove dispenser
- Paper dispenser
- Sliding/fold down rear bench
- Bag roll holder kit

Lighting

- Premium lighting available

Ends

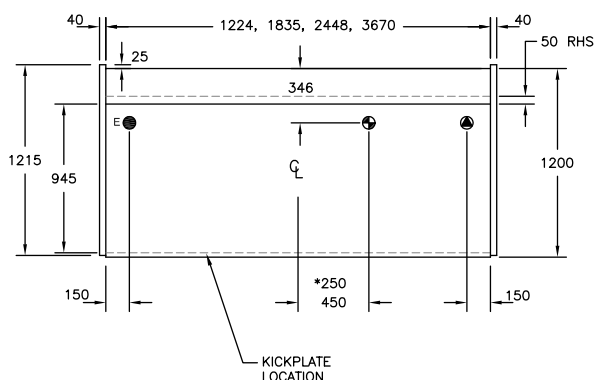
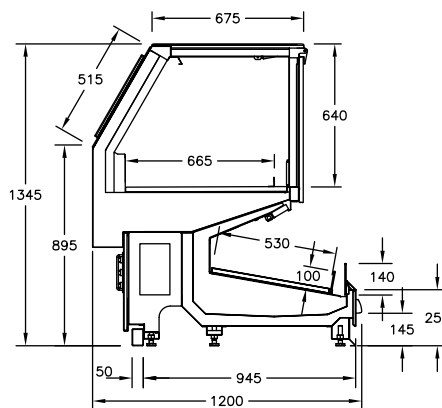
- Solid mirror ends
- Glass view end
- Common end
- Acrylic full height system divider

Bumper

- Stainless steel rail (single or double)

Other

- Technology solutions
- Electronic shelf labels



AVAILABLE LENGTHS

Excluding Ends: 1224, 1835, 2448, 3670

TEMPERATURE CLASS

3M0



(-1 °C to +4 °C)

AVAILABLE DEPTHS

C Series Deli: 1200

AVAILABLE COLOURS



Additional Information

All Dimensions shown in Millimetres (mm) unless otherwise stated. Dimensions and features are subject to change. Please obtain current technical information prior to order confirmation.

NOTE: We reserve the right to change or revise specifications and product design in connection with any feature of our products. Such changes do not entitle the buyer to corresponding changes, improvements, additions or replacements for equipment previously sold or Shipped.

