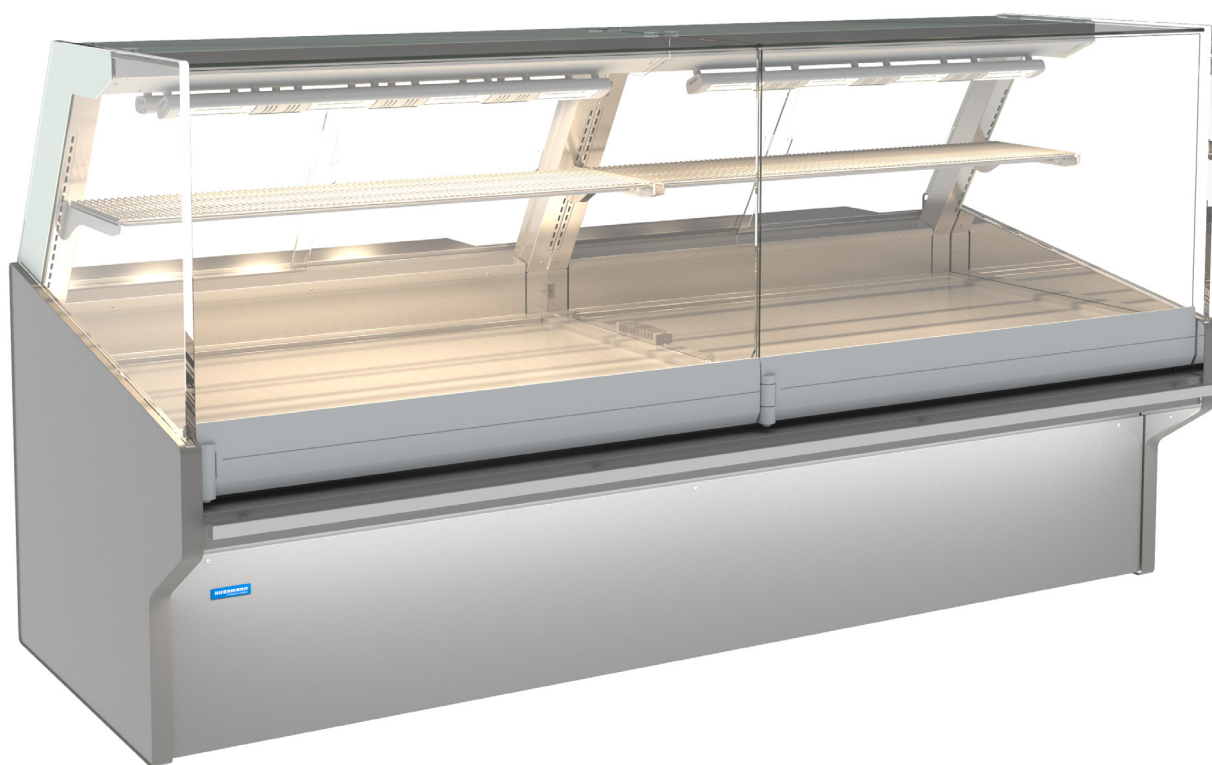


HOT

# DH13

SERVICED HOT DISPLAY CABINET



ENHANCED ENERGY EFFICIENCY  
& VERSATILITY

**HUSSMANN®**

\*Image shown with optional trim plinth light

## PRODUCT BENEFITS

- Ergonomic design for easy access
- Optimised display with LED lighting
- Low product dehydration
- Low Total Energy Consumption (TEC)
- Longer merchandise shelf life
- Product temperature compliance
- Simple to install and maintain

## STANDARD FEATURES

- Full stainless steel interior
- Stainless steel rear exterior panels
- Powder coated front exterior panels
- Full front with non adjustable base
- Flat front glass
- One row of 300mm shelving
- Kickplate
- Stainless steel bumper
- Draw wire in conduit for air probe

## CUSTOMISATIONS

### Accessories

- Stainless steel wired angled rack
- Stainless steel wired stepped rack
- Scale stand kit
- Glove dispenser
- Paper dispenser
- Adjustable base kit
- Electronic TX Valve
- Fold down shelf
- Bag roll holder kit

### Lighting

- Standard Halogen Lighting
- Single row of 4000K front trim plinth light

### Ends

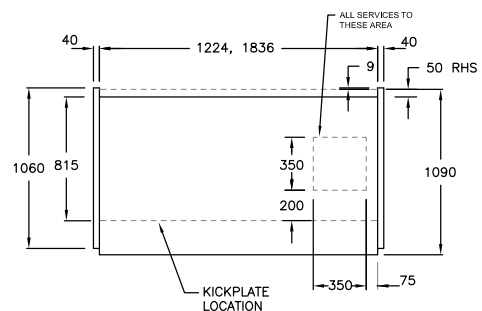
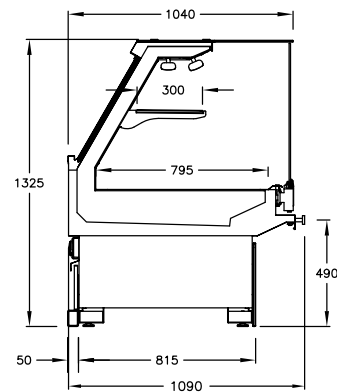
- Solid mirror ends

### Bumper

- Stainless steel rail bumper

### Other

- Technology solutions
- Electronic shelf labels



## AVAILABLE LENGTHS

Excluding Ends: 1224, 1836

## AVAILABLE DEPTHS

V Series Deli: 1200  
D Series Deli: 1090

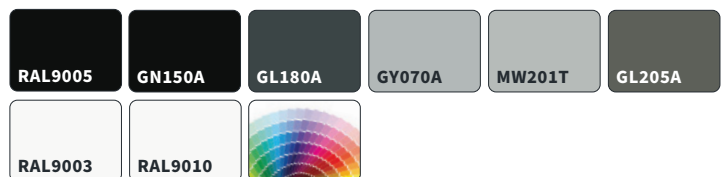
TEMPERATURE  
CLASS

HOT



(+65 / +80 ° C)

## AVAILABLE COLOURS



### Additional Information

All Dimensions shown in Millimetres (mm) unless otherwise stated. Dimensions and features are subject to change. Please obtain current technical information prior to order confirmation.

**NOTE:** We reserve the right to change or revise specifications and product design in connection with any feature of our products. Such changes do not entitle the buyer to corresponding changes, improvements, additions or replacements for equipment previously sold or Shipped.



© 2020 Hussmann Corporation - Version - V.1.0

## Australia Head Office

66 Glendenning Road Glendenning, NSW 2761 Australia

ph. +612 8805 0400

w. www.hussmann.com.au

**HUSSMANN**®