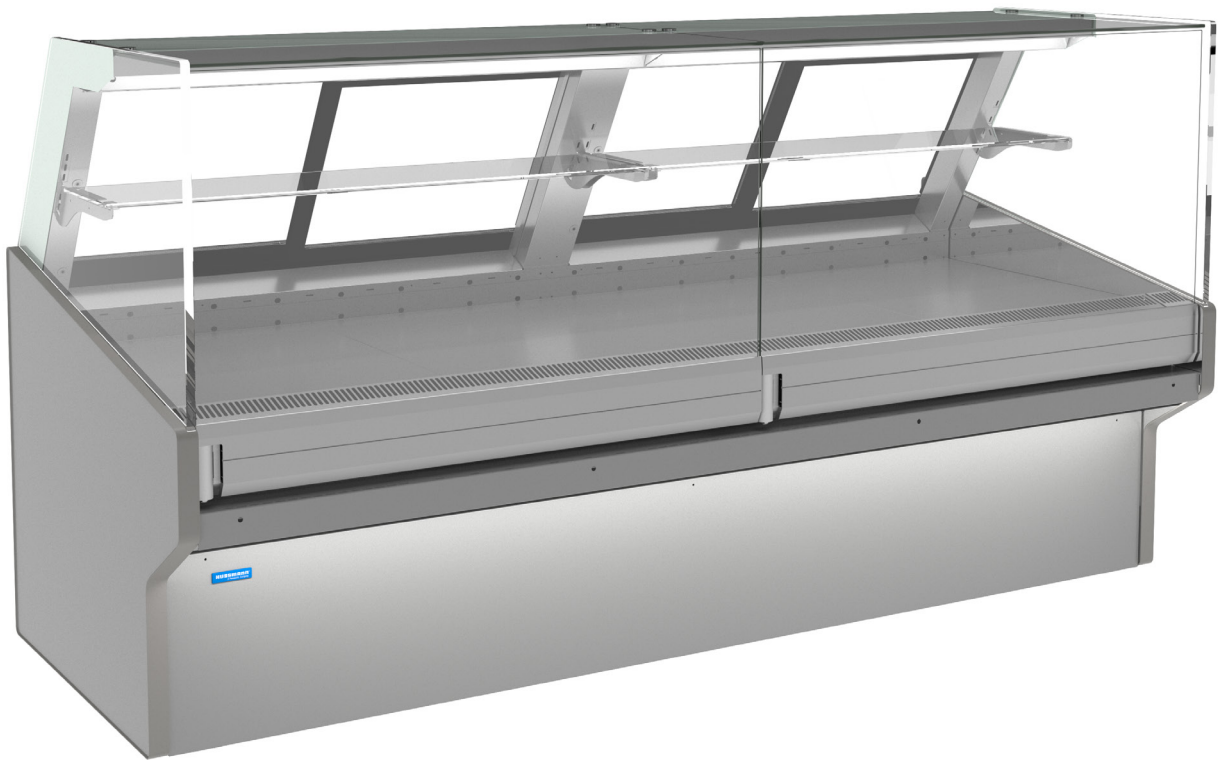


DELI

DD13

SERVICED DELI DISPLAY CABINET



ENHANCED ENERGY EFFICIENCY
& VERSATILITY

HUSSMANN®

*Image shown with optional trim plinth light

PRODUCT BENEFITS

- Ergonomic design for easy access
- Optimised display with LED lighting
- Low product dehydration
- Low Total Energy Consumption (TEC)
- Longer merchandise shelf life
- Product temperature compliance
- Simple to install and maintain

STANDARD FEATURES

- Full stainless steel interior
- Stainless steel rear exterior panels
- Powder coated front exterior panels
- Full front with non adjustable base
- Flat front glass
- 1 row of 270mm glass shelf
- Single row of 3000K canopy light
- Single row of 3000K shelf light
- Kickplate
- Stainless steel bumper
- Protected evaporator assembly fitted with valve
- Draw wire in conduit for air probe

CUSTOMISATIONS

Accessories

- Stainless steel wired angled rack
- Stainless steel wired stepped rack
- Scale stand kit
- Glove dispenser
- Paper dispenser
- Adjustable base kit
- Electronic TX Valve
- Fold down shelf
- Bag roll holder kit

Lighting

- Premium lighting available
- Single row of 4000K front trim plinth light

Ends

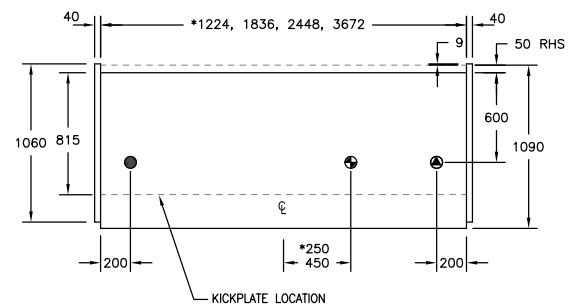
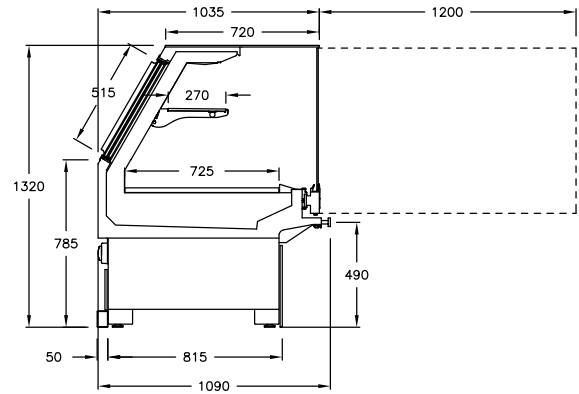
- Solid mirror ends
- Glass view end
- Common end
- Acrylic full height system divider

Bumper

- Stainless steel rail bumper

Other

- Technology solutions
- Electronic shelf labels



AVAILABLE LENGTHS

Excluding Ends: 1224, 1836, 2448, 3672

TEMPERATURE
CLASS

3M1



(-1 °C to +5 °C)

AVAILABLE DEPTHS

V Series Deli: 1200

D Series Deli: 1090

AVAILABLE COLOURS



Additional Information

All Dimensions shown in Millimetres (mm) unless otherwise stated. Dimensions and features are subject to change. Please obtain current technical information prior to order confirmation.

NOTE: We reserve the right to change or revise specifications and product design in connection with any feature of our products. Such changes do not entitle the buyer to corresponding changes, improvements, additions or replacements for equipment previously sold or Shipped.



© 2020 Hussmann Corporation - Version - V.1.0

Australia Head Office

66 Glendenning Road Glendenning, NSW 2761 Australia

ph. +612 8805 0400

w. www.hussmann.com.au

HUSSMANN®