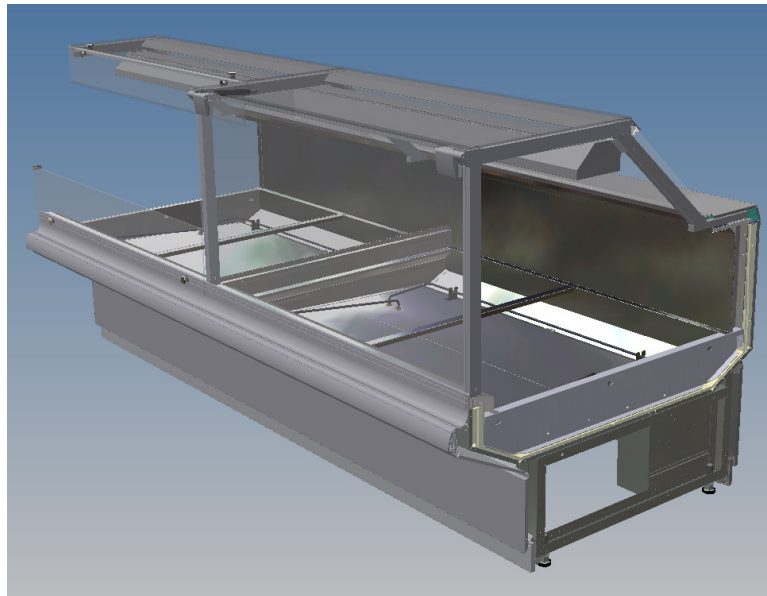
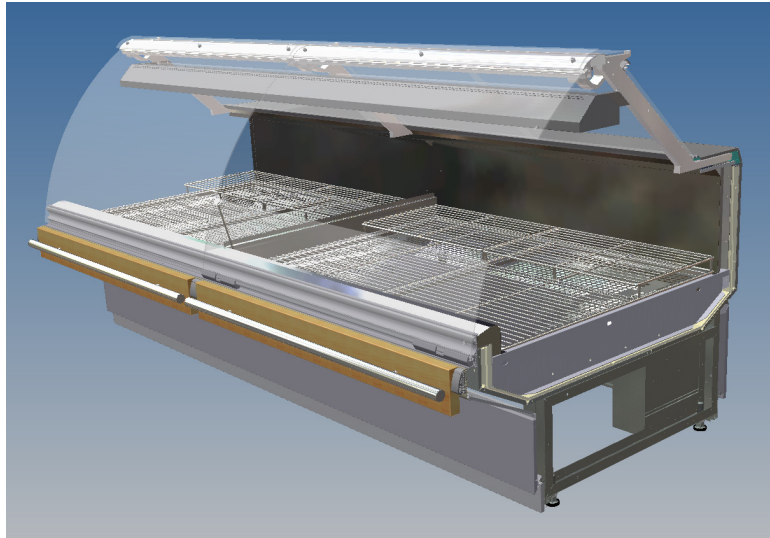


MC ALPINE
HUSSmann®
SPECIALTY CASE FACILITY



**VLL VLL926BL SERVE OVER AND SELF SERVICE
HOT FOOD DISPLAY CABINETS**

INSTALLATION AND MAINTENANCE INSTRUCTIONS

Manual 123

April 2017

Rev B

HUSSmann®
Specialty

CONTENTS

Pre Installation

Cabinet Cross section	3
Cabinet Footprint	4
Technical Data Sheets	6
Receiving Cabinets	8
Operating Environment	9
Installed Position	9
Key Operation Points	10

Installation

Joining Cabinets	11
Electrical installation	11
Drain Installation	12
Pre Start Checklist	12

Cabinet Operation

Loading Limits	13
Fittings and Accessories	13
Temperature Checking	16
Temperature adjustment	16

Maintenance

Cleaning	17
Regular Inspection	19
Disposal of the Cabinet	19
Replacement Parts	20

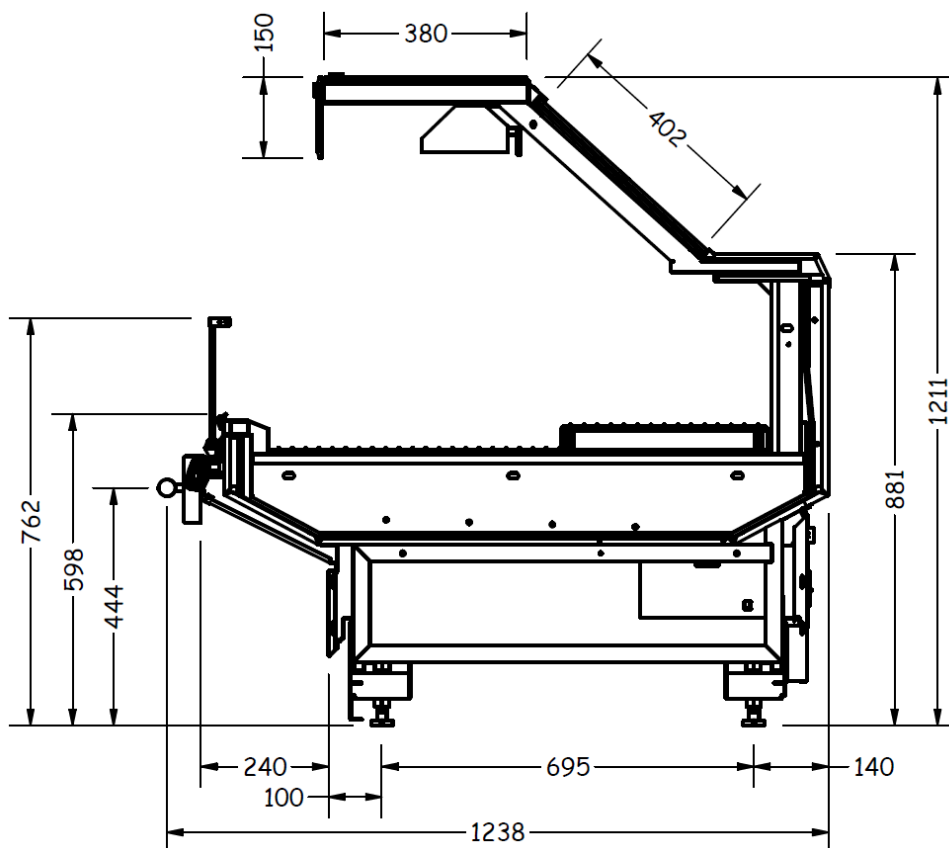
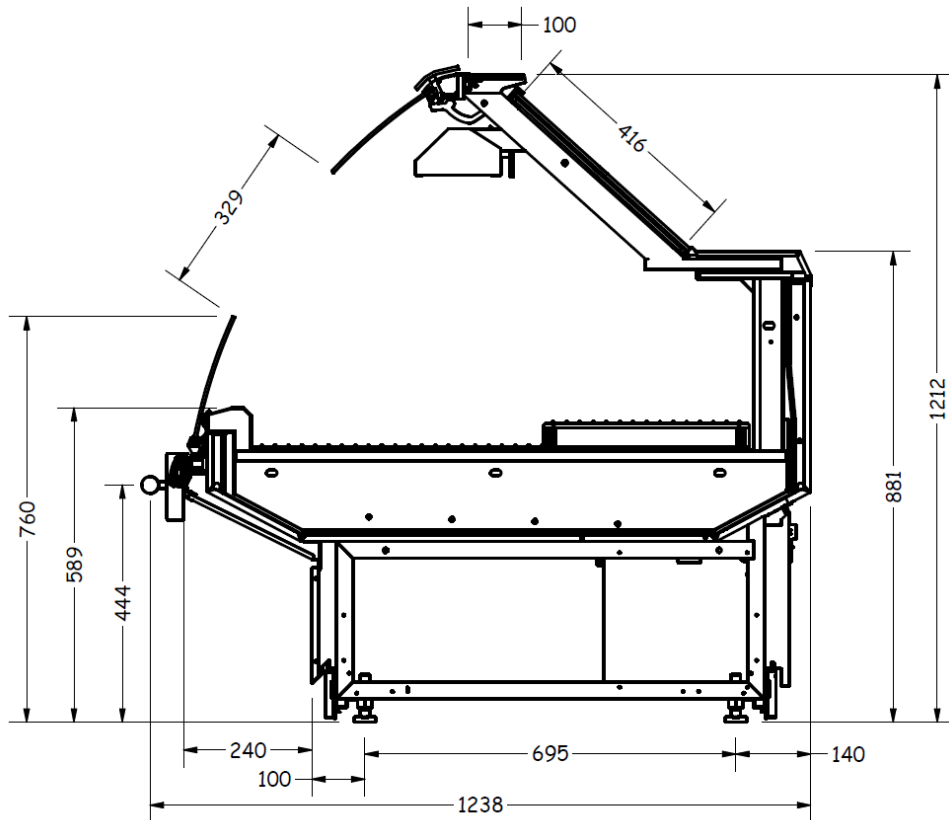
Risk Analysis

21

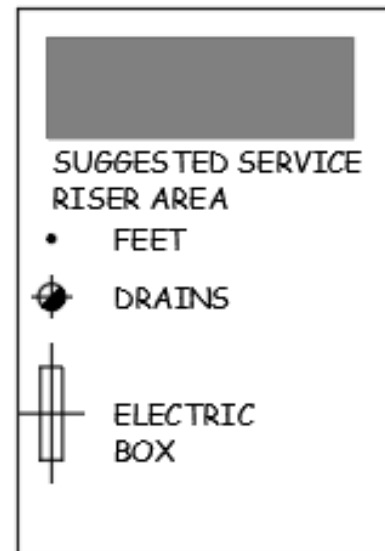
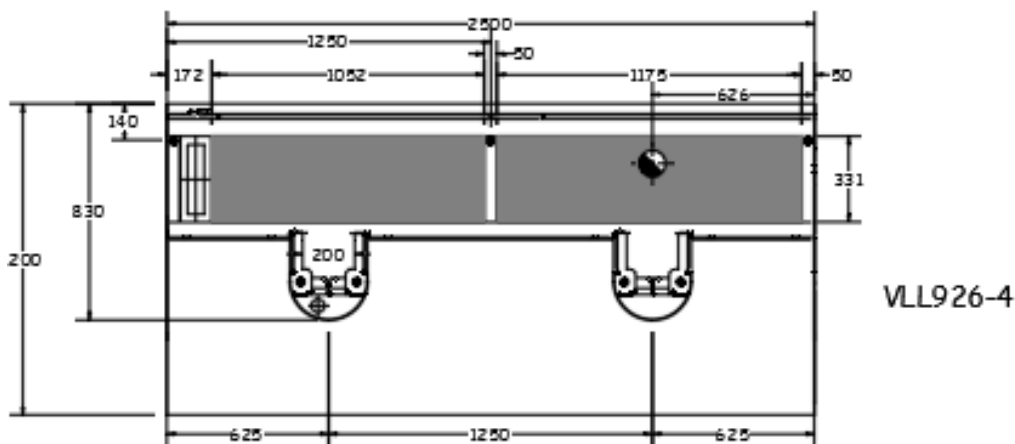
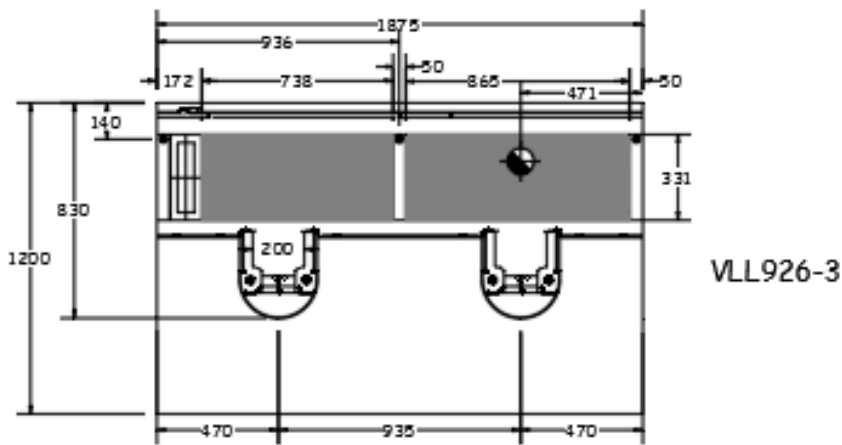
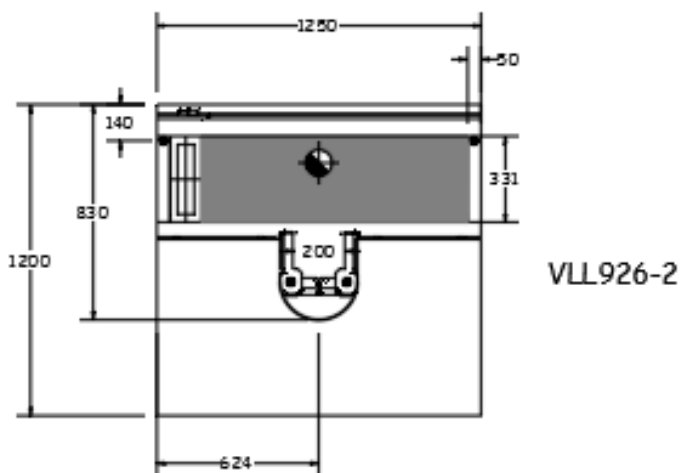
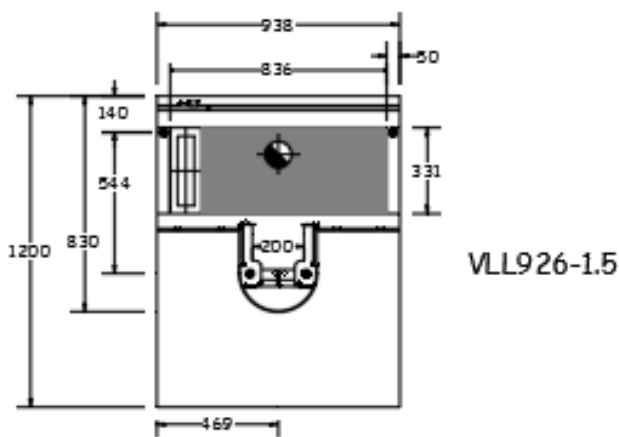
Pre Installation

Cabinet Dimensions

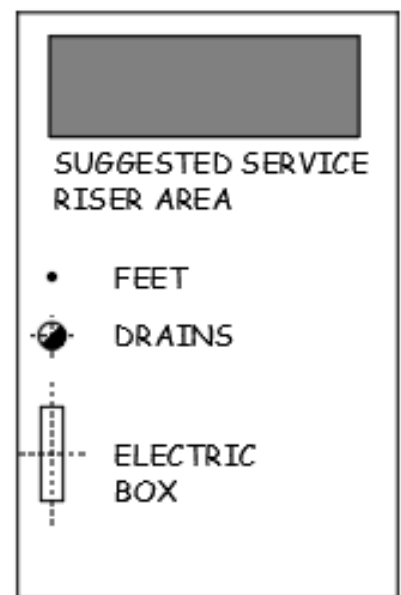
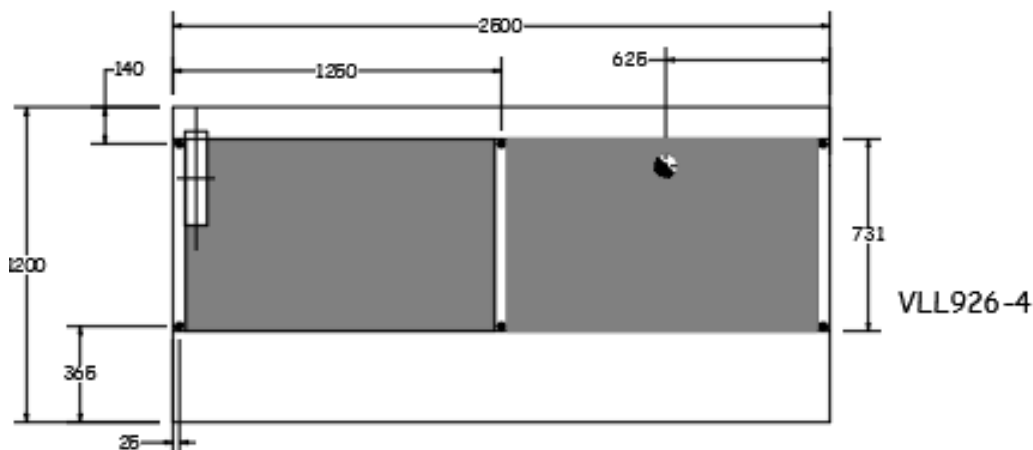
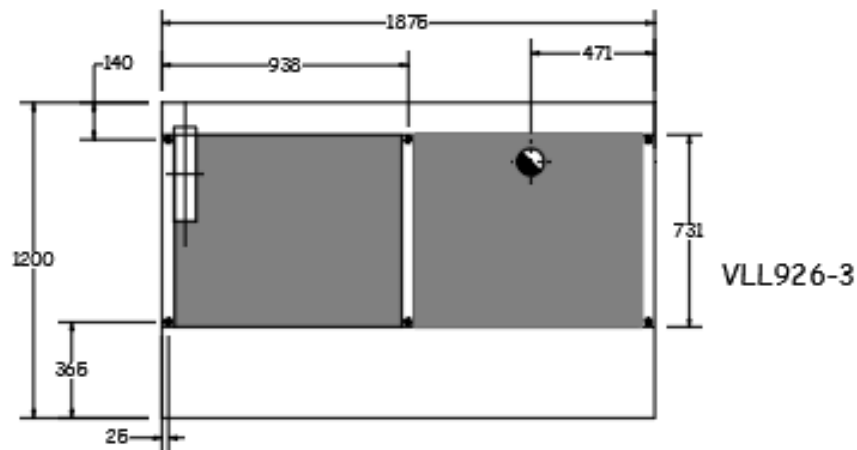
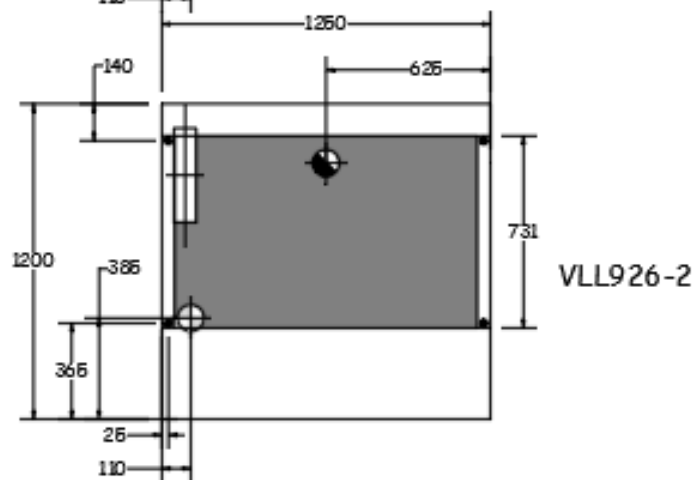
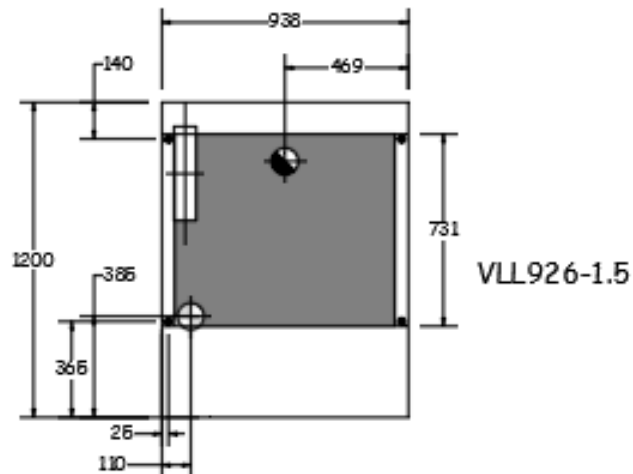
Overall dimensions will vary according to the base used on each case



1 False Pedestal Base Footprints



1 Full Base Footprints



Serve Over Data



VLL926

Serve Over Hot Food Case

Product code & length	Product Data					
	Product temp. °C	Number of Phase circuits		Safety Indicator Lights		Self Service
VLL926-1.5	+65/+80°C	1		No		No
VLL926-2		1				
VLL926-3		1				
VLL926-4		1				
	Phase 1		Phase 2		Phase 3	
	Watts	Amps	Watts	Amps	Watts	Amps
VLL926-1.5	1618	6.75				
VLL926-2	2064	8.69				
VLL926-3	2550	10.63				
VLL926-4	3072	12.71				
	Number of Control Simmerstats	Canopy Simmerstat	Front Deck Simmerstat	Rear Deck Simmerstat		
VLL926-1.5	3	2	5	4.5		
VLL 926-2	3	0	5	3		
VLL 926-3	3	0	5.5	4.5		
VLL 926-4	2	3-1/2	3-1/2	4		

Operational Notes:

Case set points are guidelines only.

Settings unique to each case are specified on each simmerstat.

Some cases may have a slightly lower current draw due to unique customer specifications



Effective : 26 June 2017

Version : 1.7



McAlpine Hussmann reserves the right to change the document contained herein and any revisions without prior notice.
This document contains information that is of a confidential nature and is only for the intended recipient.
If you are not the intended recipient, you must not disclose, use, disseminate or copy this document or any information.
Penalties are inflicted if the above pattern is violated by any change exceeding 10 days or checking against the intended recipient.

HUSSMANN
Specialty

Self Service Data



VLL 926S

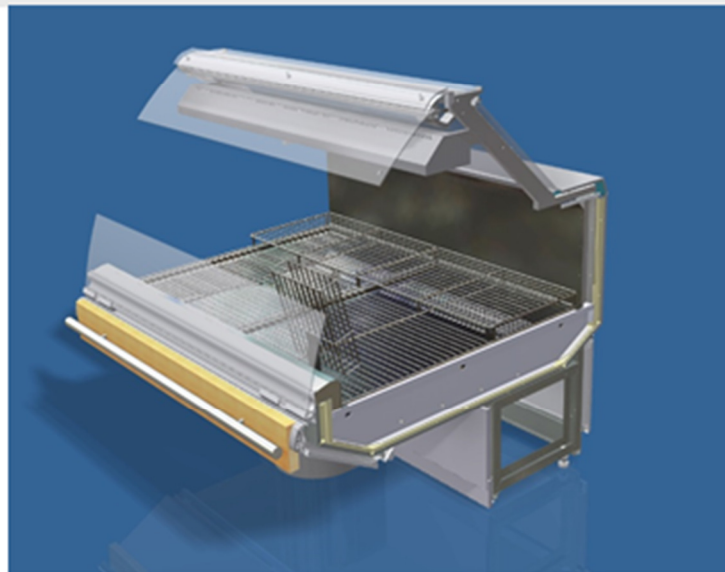
Self Serve Hot Food Case

Product code & length	Product Data					
	Product temp. °C	Number of Phase circuits		Safety Indicator Lights		Self Service
VLL 926S-2	+65/+80°C	1		No		Yes
VLL 926S-3		3				
VLL 926S-4		3				
	ELECTRICAL LOAD					
	Phase 1		Phase 2		Phase 3	
	Watts	Amps	Watts	Amps	Watts	Amps
VLL 926S-2	3775	15.7				
VLL 926S-3	1776	7.4	1050	4.4	2000	8.3
VLL 926S-4	2900	12.1	2400	10	1814	7.6
	RECOMMENDED SET POINT PARAMETER GUIDELINES					
	Number of Control Simmerstats	Front Deck Simmerstat		Rear Deck Simmerstat		Canopy Simmerstat
VLL 926S-2	3	4-1/2		5-1/2		5-1/2
VLL 926S-3	3	3-1/2		5-1/2		5-1/2
VLL 926S-4	3	4		5-1/2		4

Operational Notes:

Case set points are guidelines only.

Settings unique to each case are specified on each simmerstat.



Effective : July 2014

Version : 1.7



McAlpine Hussmann reserves the right to change the document contained herein and any systems without prior notice.
 This document contains information that is of a confidential nature and is only for the intended recipient.
 If you are not the intended recipient, you must not disseminate, use, disseminate or copy this document or any attachment.
 Penalties are affected if a third party is advised by this document exceeding its authorized recipient's intended use.

HUSSMANN
Specialty

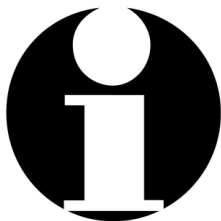
Receiving Cabinets

Cabinets will always be dispatched in good condition. Always inspect the cabinet and packaged accessories for damage. Note any damage on the carrier's consignment note prior to signing.

For concealed damage that is found later, notify Hussmann in the relevant country within 3 working days. Any issues will be addressed and rectified as applicable.

Australia: Hussmann Ltd
Email: mhl_helpdesk_au@hussmann.com
Ph. 1300 36 38 40

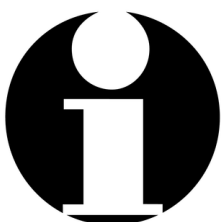
New Zealand: McAlpine Hussmann Ltd
Tauranga
Ph. +64 7 578 0965



NOTE

Please provide a photographic record of any damage found along with the cabinet serial number and a brief description of the damage.

A check should also be made to ensure that all loose parts listed on the outside packaging are present and undamaged.



NOTE

Any shortages will follow the same procedure as concealed damage.

Operating Environment

VLL926 Hot Food Display Cabinets have been designed to operate in the following conditions:

Ambient temperature	20°C to 28°C
Max cross draft	0.2 m/sec
Product Temperature	+60°C to +80C

Ambient conditions greater than those stated may result in poorer performance of the cabinet and higher running costs.



NOTE

Please reference AN/NZS4322 for Hot cabinet regulatory requirements

Installed Position

Cabinets should be sited so that external influences are minimized. Situations to avoid are:

Air draughts from:

- Air conditioning,
- Ventilation,
- Entranceways,

Mechanical damage:

- Shopping trolleys,
- Forklift trucks,
- Pallet jacks,
- Floor polishers,



CAUTION

Any of these situations could prevent this cabinet from performing correctly.

Extra protection may be required to minimize the risk of damage.



CAUTION

Location of this cabinet should also take into account the effect it will have on its surrounding environment.

Keep away from storage equipment and products that may be affected by a rise in ambient temperatures.

Key Operation Points

- Preheat the cabinet for thirty minutes before loading product
- Only load product that is above 75°C
- Do not overload the cabinet with product. No more than a single layer on each level
- Do not use electrical appliances inside the food storage compartments of the appliance, unless they are of a type recommended by the manufacturer
- Always clean cabinets as described in the cleaning section of this manual and on the cleaning instruction label on the cabinet.
- Rotate stock so that it does not sit in the cabinet for more than 4 hours.
- **The Thermometer is reading air temperature not product temperature. Do not adjust the cabinet settings based on the thermometer reading. Always measure core product temperatures on all display levels before commencing any adjustment.**



NOTE

if a liquid spill should occur, the spill should be cleaned as soon as practicable. If left it can become 'burnt on', this will make it difficult to remove at a later date.



CAUTION

Do not use electrical appliances inside the food storage compartments of the appliance, unless they are recommended by the manufacturer.

Installation



NOTE

Information in this manual is to be followed in conjunction with specifications, work practices and regulations of the customer, installing company and relevant industry

Joining Cabinets

There should always be a nominal 50mm insulated (heat rated) end between heated and refrigerated cabinets. A thinner less insulated end may allow heat transfer that will adversely affect the performance of the refrigerated cabinet.

VLL926 cabinets are fitted with 20mm ends, positioning them adjacent to refrigerated cabinets should be done with the above requirements in mind.

Electrical Installation

The electrical installation shall:

- Meet existing regulations and safety codes,
- Have an electrical supply to the cabinet that is independent of other supplies,
- Be individually isolated,
- This cabinet complies with EMC regulations.

There is a wiring diagram in the electric box of each cabinet.



NOTE

If you require a replacement wiring diagram, please contact the Hussmann help desk

Please supply the cabinet serial number with the request



NOTE

It is recommended that this cabinet is connected to a dedicated circuit that is not controlled by a Residual Current Device (RCD). This cabinet contains bar elements that may cause nuisance tripping of the RCD.

Drain Installation

Points to be aware of for cabinet drain installation:

- The cabinet should be correctly levelled,
- Water traps are factory fitted to the cabinets,
- The installer should ensure that the drain then slopes to the drainage point,
- That a grease trap is provided if required by local regulations



NOTE

All drains should be 40mm or bushed to 40mm as soon as practicable after the water trap



NOTE

Any condensate and waste drains must be installed to local regulation requirements

Pre-Start Checklist

It is suggested that the following items be included but not limited to any pre-start check of this cabinet.

- All electrical connections are secure and electrical tests completed.
- All guards are correctly fitted.
- Drain traps have been primed with water to seal and drain screens are fitted where provided.
- Any loose material created during installation has been cleaned from the cabinet. These could cause rust spots and pitting that could permanently damage the stainless steel.
- Any components removed for installation have been refitted.

Cabinet Operation

Loading Limits

Please be aware of the following:

- Food products must be warmer than 75°C when stocking the cabinet.
- Ensure that rotation of product is carried out to avoid deterioration of older stock.
- Stock that has been in the cabinet for over 4 hours should be replaced.



NOTE

VLL926 cabinets are designed to hold a single layer of product per display level. If product is stacked it may not be held within the correct temperature range

Fittings and Accessories

Only fittings and accessories designed for this cabinet should be used. Any other additions may cause the cabinet to not work in its intended fashion.



CAUTION

Fittings and accessories supplied are designed for optimal performance of the cabinet. If these are removed or altered, product temperatures and cabinet safety may be compromised



NOTE

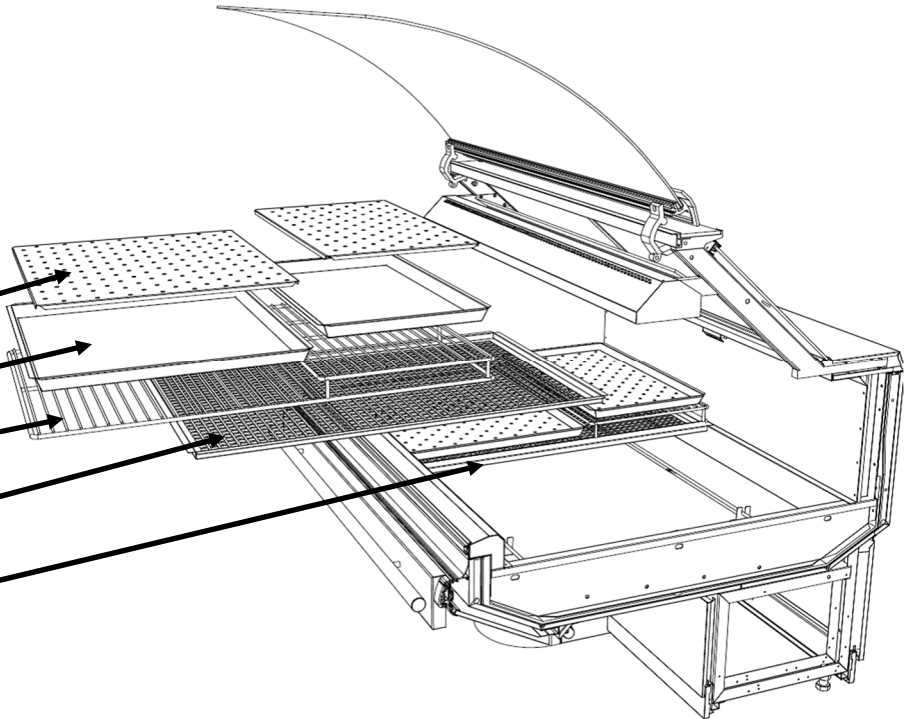
Please see following pages for typical cabinet layouts.

Fittings and Accessories

VLL926 hot serviced cabinet stepped racks and trays and inserts

The serviced section of the hot cabinet includes:

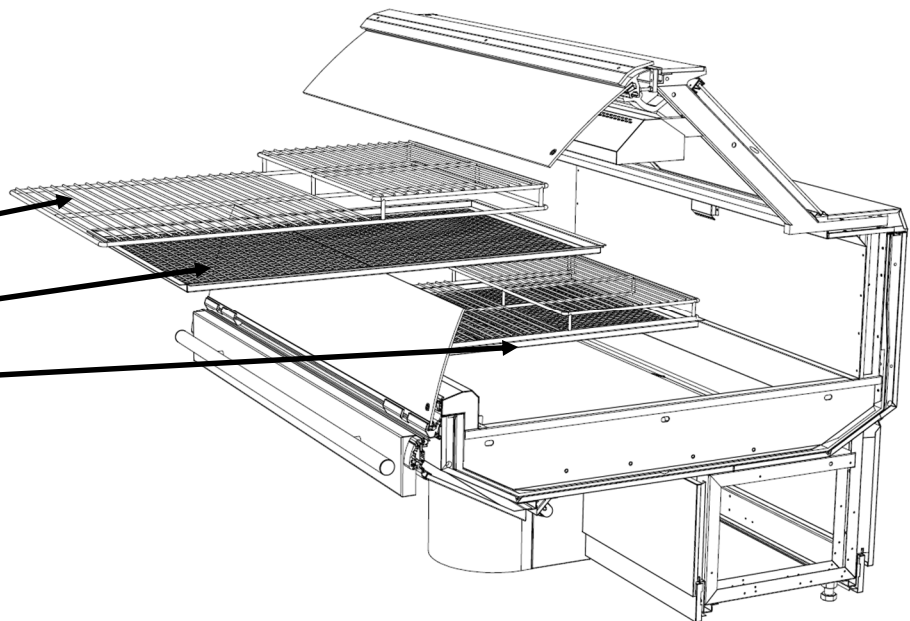
1. Inserts
2. Trays
3. Racks
4. Guard tray
5. Divider support



VLL926S hot self-service cabinet stepped racks

The self service section of the hot cabinet includes:

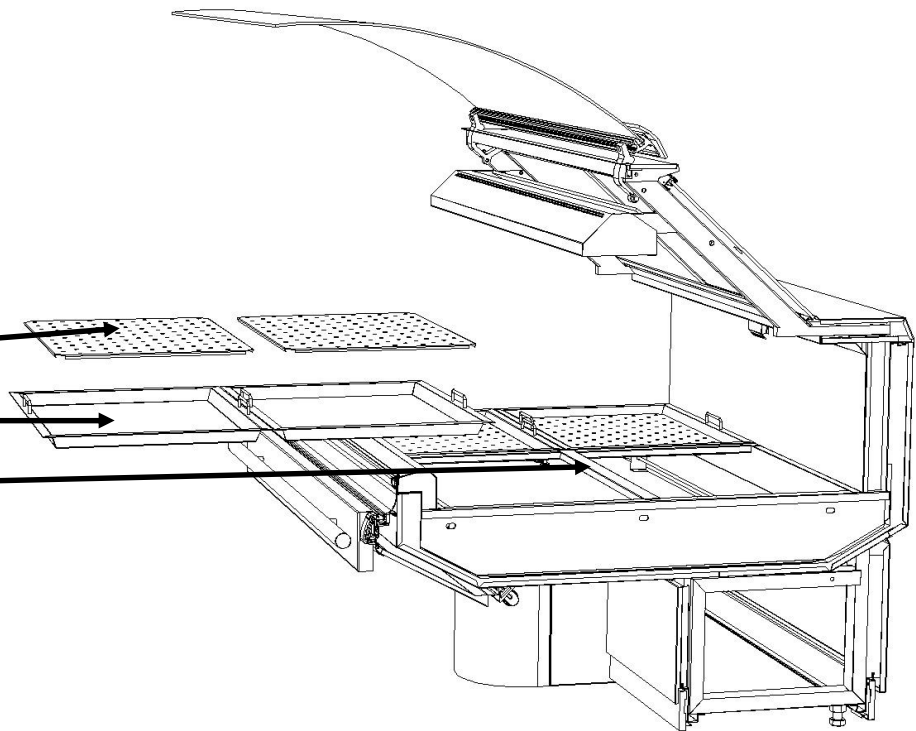
1. Racks
2. Guard tray
3. Divider support



VLL926S hot self-service cabinet trays and inserts

The self-service section of the hot cabinet includes:

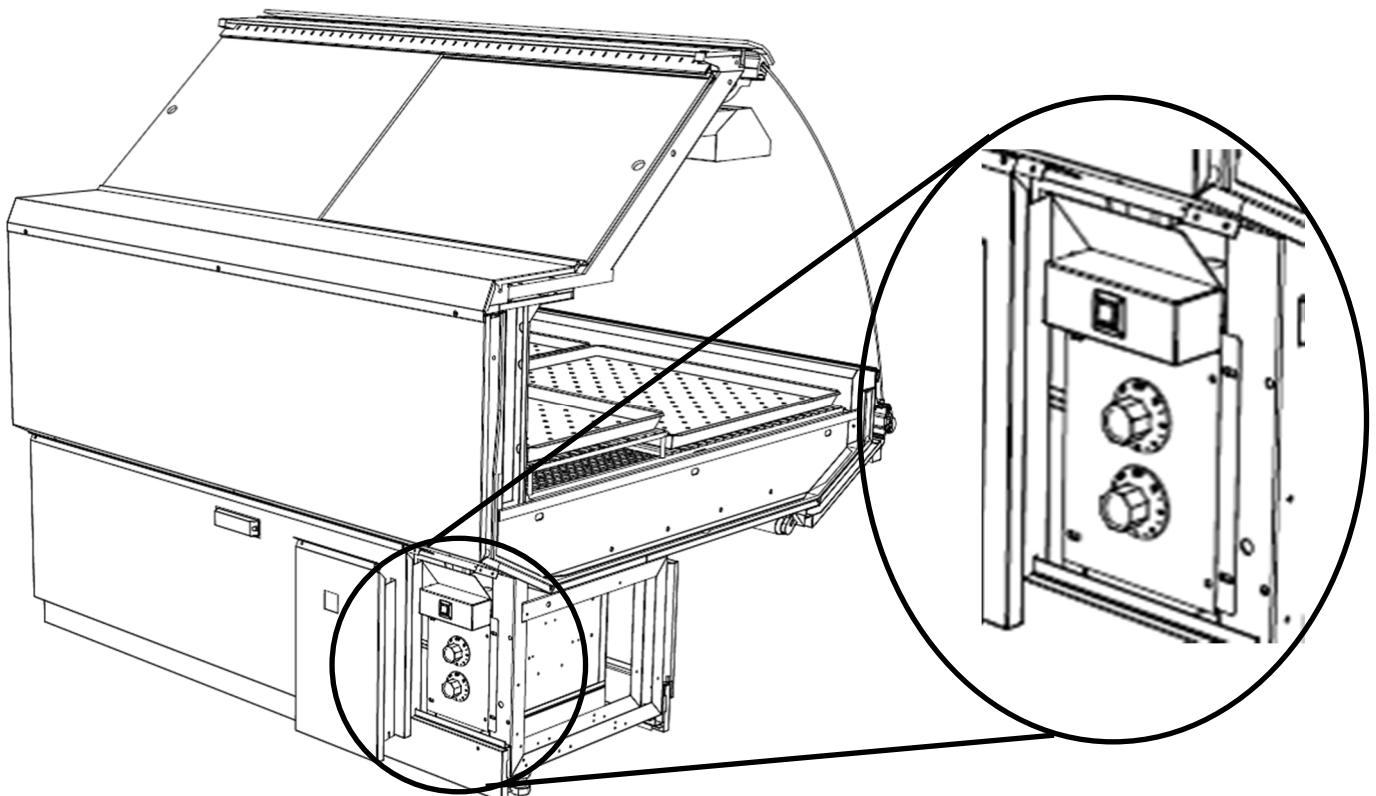
1. Inserts
2. Trays
3. Divider support



VLL926S simmerstat settings

Settings are pre-set in the factory, and are written alongside each dial.

On commissioning, these settings should not be adjusted until the temperature of actual product has been recorded. The temperature shown by the thermometer is a guidance of air temperature, not a direct indication of actual product temperatures



Temperature Checking

Product temperatures should be checked and recorded at least daily using an approved temperature probe



NOTE

The thermometer is reading air temperature not product temperature. **DO NOT** adjust the cabinet settings based on the thermometer reading

Temperature Adjustment

Factory settings are shown beside the simmerstats. Before making adjustments during commissioning, check:

- That simmerstats are set to factory settings.
 - That all elements and lights are working.
 - That actual product is being measured. **The thermometer only reads air temperature**
1. The simmerstats for adjusting the temperature of the product are accessed from the rear of the cabinet.
 2. To adjust the temperature of product on any level adjust the simmerstat setting of the level above. Therefore, for the top shelf adjust the setting on the canopy simmerstat.
 3. Adjusting a shelf setting will mainly effect the level below, but will have a small impact on product temperatures on that shelf.
 4. Adjust deck simmerstats if product on the lowest level (deck) is not correct.



CAUTION

Only Service Technicians or staff that have had suitable training should adjust settings.

Maintenance



CAUTION

Always isolate the cabinet from the mains power supply before any maintenance



CAUTION

Allow the cabinet to cool before performing any maintenance

Cleaning

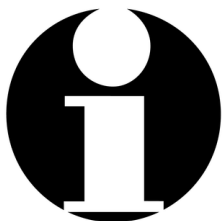
To maximize efficiency and durability, It is suggested that your cleaning and maintenance program include a deep clean weekly and a maintenance clean daily

Deep cleaning should include:

- Removal of all food products.
- Removal of all removable panels.
- Remove all food scraps.
- Sanitizing wash.
- Rinsing with clean water.

Maintenance clean should include:

- Removal of all food products.
- Wipe down of all exposed panels.
- **Inspect for spills that may require deeper cleaning**



NOTE

if a liquid spill should occur, the spill should be cleaned as soon as practicable. If left it can become 'burnt on', this will make it difficult to remove at a later date.

Stainless steel is used inside the cabinet to give a strong corrosion resistant finish that maximizes the cabinet's service life.

It is not rustproof, particularly in the harsh environment of Food Display cabinets.

Chlorine and bromine, commonly used for sanitisation are highly caustic chemicals for stainless steel and heat and humidity enhance the corrosiveness of these chemicals.

Regular cleaning is the best way to prevent corrosion and add to the service life for your stainless steel product. The goal of your cleaning and maintenance program should be to keep the stainless steel's protective chromium oxide layer intact. This is what prevents corrosion.

For cleaning use:

- Warm water (Less than 55°C)
- Water based solutions
- Soft cloths

Do not use:

- Abrasive products
- Solvent based products

Things to be aware of when cleaning:

- The lower front glass and any glass dividers can be removed for cleaning
- Keep water away from any electrical components, The bar elements under the deck display area are water proof.
- Do not flood the tub area below the deck display area as penetrations and seals may be compromised causing damage and water leaks.
- Check drain traps are clear of obstruction

Regular Inspection

To ensure reliability of the cabinet, it is advisable that trained personnel carry out periodic maintenance.

It is recommended (as a minimum) that a check be made 3 months after commissioning of the cabinet and then every 6 months.

The maintenance check should include but not be limited to:

- Checking all elements are working and in good order,
- Checking all halogen lamps are working and in good order
- Checking simmerstats are operating correctly and are set so product maintains required temperature
- Check that all heat guards are in place and secure.
- Check there is no build up of food residue on any part of the cabinet.
- Check the drain trap is clear of any build up of residue or other objects.
- Check all electrical components have not been damaged.
- Check all fittings and accessories supplied with the cabinet are being used correctly

These checks will ensure the best possible performance of the cabinet over its service life.



CAUTION
Particular attention should be given to the operation of
any safety devices.

Disposal of the Cabinet

It is encouraged that the cabinet be refurbished if practical.

If disposal is necessary, please be aware that the foam-insulated panels incorporate cyclo-pentane as the blowing agent and will require the cabinet to be disposed of in accordance with local authority guidelines.



NOTE
Components could have high value as scrap, please recycle as many
parts as possible

Replacement Parts

Spare parts are available from Hussmann.



NOTE

When ordering replacement parts please quote the serial number of the cabinet to ensure correct replacement.

Risk Analysis

Hazard	Person at Risk	Potential Consequences	How Likely	Risk	Control Measures
Manual Handling while installing cabinets	Installation Technician	Strains and sprains; Bruised or crushed fingers/limbs	Likely	Moderate	Utilise correct Manual Handling techniques. Lifting equipment should be used where possible. PPE - Gloves, Overalls and Safety Boots
Electrical installation	Qualified Service Technician	Death, Burns, Electric shock	Unlikely	High	Do not connect cabinet to power supply before checking all wiring circuits
Electrical Maintenance	Qualified Service Technician	Death, Burns, Electric shock	Unlikely	Moderate	Electrically isolate cabinet before works
Glass Breakage	Installation Technician Customers Operating Staff	Glass in eyes, Scratches, Fright	Unlikely	Low	Do not over stress glass or hit with objects
Manual Handling whilst loading and unloading stock	Operating Staff	Back injuries, Burns	Likely	Moderate	Training of employees in correct Manual Handling practices. Use PPE when loading hot areas - Gloves
Spillage of hot liquids from chickens	Operating Staff Customers	Burns, Slipping on greasy floors	Likely	Moderate	Ensure product containers are correctly sealed. Clean up any spills immediately
Chicken juice/fat - fire hazard	Operating Staff Customers	Death, Burns, Electric shock, Fire	Unlikely	Low	Clean all surfaces regularly. Pay special attention to elements under deck pans
Hot Surfaces	Customers Operating Staff	Burns	Likely	Moderate	Warning Labels fitted to the cabinet to alert Customers. Polycarbonate and wire shields fitted to prevent accidental touching of hot surfaces. Hot surfaces outside reach of infants. PPE - Gloves, Tongs
Halogen replacement	Service Technician	Cuts, Electric shock	Unlikely	Low	Electrically isolate cabinet before works. PPE - Gloves