

SEAFOOD

# VLL727BL

SERVICED SEAFOOD DISPLAY CABINET



ENHANCED ENERGY EFFICIENCY  
& VERSATILITY

**HUSSmann®**

## PRODUCT BENEFITS

- Ergonomic design for easy access
- Optimised display with LED lighting
- Low product dehydration
- Low Total Energy Consumption (TEC)
- Longer merchandise shelf life
- Product temperature compliance
- Simple to install and maintain

## STANDARD FEATURES

- Full stainless steel interior
- Stainless steel deck pan
- Stainless steel rear exterior panels
- Powder coated front exterior panels
- Full front with non adjustable base
- Flat front glass
- Single row of 4000K canopy light
- Kickplate
- Rubber bumper
- Protected rear evaporator assembly fitted with valve
- Digital thermometer display fitted
- Draw wire in conduit for air probe

## CUSTOMISATIONS

### Accessories

- Stainless steel wired angled rack
- Stainless steel wired stepped rack
- Stainless steel ice trays
- Scale stand kit
- Glove dispenser
- Paper dispenser
- Fold down shelf
- Bag roll holder kit
- Pedestal base

### Lighting

- Premium lighting available

### Ends

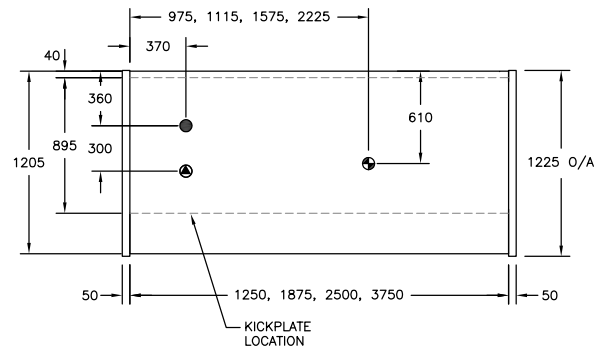
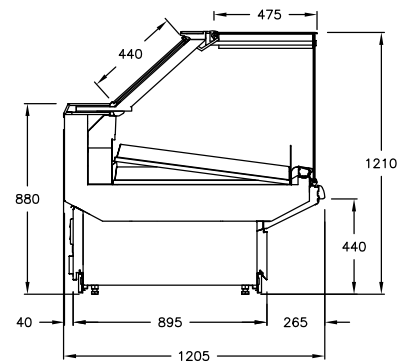
- Solid mirror ends
- Glass view end
- Common end
- Acrylic full height system divider

### Bumper

- Stainless steel rail wood bumper

### Other

- Technology solutions
- Electronic shelf labels



## AVAILABLE LENGTHS

**Excluding Ends:** 1250, 1875, 2500, 3750

**TEMPERATURE CLASS**

**3M1**



(-1 °C to +5 °C)

## AVAILABLE DEPTHS

**V Series Deli:** 1205

**D Series Deli:** 1090

## AVAILABLE COLOURS



### Additional Information

All Dimensions shown in Millimetres (mm) unless otherwise stated. Dimensions and features are subject to change. Please obtain current technical information prior to order confirmation.

**NOTE:** We reserve the right to change or revise specifications and product design in connection with any feature of our products. Such changes do not entitle the buyer to corresponding changes, improvements, additions or replacements for equipment previously sold or Shipped.



© 2020 Hussmann Corporation - Version - V.1.0

## Australia Head Office

66 Glendenning Road Glendenning, NSW 2761 Australia

ph. +612 8805 0400

w. www.hussmann.com.au

**HUSSMANN®**