

BAKERY

# SMDD1400

LOW HEIGHT SEMI VERTICAL CABINET



ENHANCED ENERGY EFFICIENCY  
& VERSATILITY

**HUSSMANN®**

## PRODUCT BENEFITS

- Low height provides open space
- Ergonomic design for easy access
- Shelf depth variety to optimise merchandising
- Optimised display with LED lighting
- Low Total Energy Consumption (TEC)
- Longer merchandise shelf life
- Product temperature compliance
- Simple to install and maintain
- Designed for modular configurations
- Ideal for island configurations

## STANDARD FEATURES

- Internal and external powder coating
- Single row of 4000K LED canopy lighting
- Undershelf lighting 4000K
- 3 rows of powder coated shelves.  
1x 300mm, 1x 400mm, 1x 450mm
- Wire product fences 45mm
- Adjustable base wire tray with 55mm front
- Ticket strips
- Wire air return grill
- Galvanised base
- Rubber bumper
- Evaporator assembly fitted with valve
- EC fan motors
- Digital thermometer display fitted
- Alarm probe fitted with conduit and draw wire
- Standard sliding door

## CUSTOMISATIONS

### Shelving & Base Shelf

- Optional additional shelves and brackets
- Stainless steel reinforced solid shelving and base tray
- Roller shelving (optional product divider)
- Hang sell and bar
- Wire or acrylic shelf fences (45mm, 75mm)

### Lighting

- Canopy lighting
- Under-shelf lighting
- Premium lighting available

### Ends

- Solid mirror ends / Glass view ends
- Common end
- Acrylic full height system divider

### Bumper

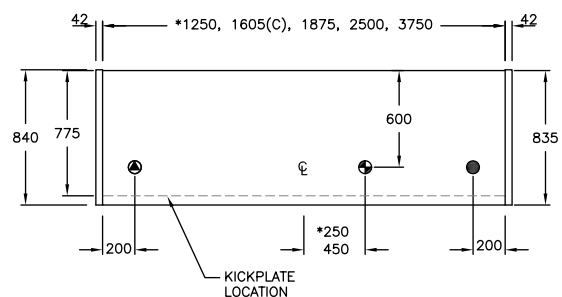
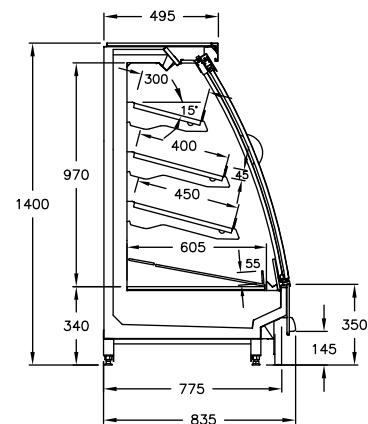
- Stainless steel bumper (single or double rail)

### Other

- Rear dress panels
- Valance panels - top or lower rear
- Technology solutions
- Electronic shelf labels or video rail

### Energy & Sustainability

- Air-Guide technology
- Door solutions



## AVAILABLE LENGTHS

**Excluding Ends:** 1250, 1875, 2500, 3750  
**Crown End:** 1605

## AVAILABLE DEPTHS

**SMN - Narrow:** 735  
**SMD - Standard:** 835  
**SME - Standard:** 895

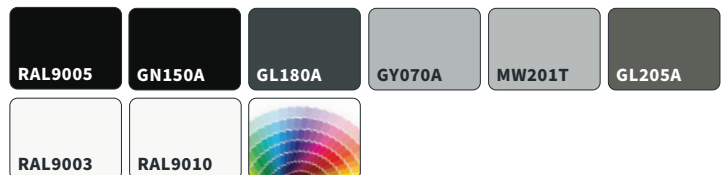
**TEMPERATURE CLASS**

**3M1**



(-1 °C to +5 °C)

## AVAILABLE COLOURS



### Additional Information

All Dimensions shown in Millimetres (mm) unless otherwise stated. Dimensions and features are subject to change. Please obtain current technical information prior to order confirmation.

**NOTE:** We reserve the right to change or revise specifications and product design in connection with any feature of our products. Such changes do not entitle the buyer to corresponding changes, improvements, additions or replacements for equipment previously sold or Shipped.



## Australia Head Office

66 Glendenning Road Glendenning, NSW 2761 Australia

ph. +612 8805 0400

w. www.hussmann.com.au

**HUSSMANN**<sup>®</sup>